

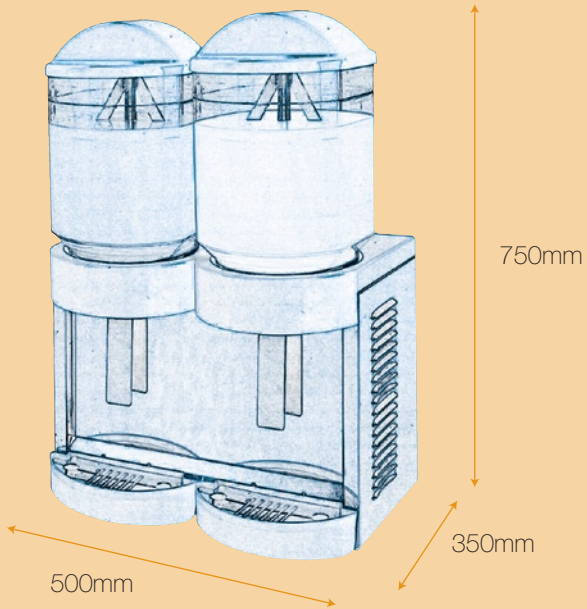
Vitalize420

Vitalize420 from IMI Cornelius, (formerly known as Supercold 12+12) chills and dispenses a range of beverages including iced tea, fruit juices, water and milk. Its impressive two twelve litre bowl capacity is perfectly suited to a busy self service restaurant or breakfast bar environment.

Key features include:

- Excellent refrigeration capacity
- Large 2 x 12 litre bowls
- Blade mixing mechanism to prevent froth forming
- Easy to use
- Extremely hygienic; every part that comes into contact with the product can be easily removed and cleaned





Size and capacity:

Number of bowls:	2 bowls
Bowl capacity:	12 litres (total 24 litres)
Weight unpacked:	22 kg
Weight packed:	25 kg

Refrigeration:

Compressor size:	8 cc
No. of compressors:	1
Refrigerant type:	R134a
Refrigerant charge:	240g
Condenser type:	Copper-Aluminium

Electrical:

Unit power rating:	450 Watts
Mains supply:	230 v, 50 Hz, 1 ph
Run current:	2 Amps
Plug connection:	Euro- Schuko plug, 3 pin UK plug
Mains cable:	2.5 metres

Technical:

Control type:	Mechanical timed (rocker switch)
Agitation:	Continuous
Max. ambient temp.:	38°C
Housing type:	Painted steel

IMI Cornelius reserves the right to modify the details in the publication as products and specifications are updated and improved. All data contained in this literature is correct at time of print. To ensure technical data is accurate please contact IMI Cornelius prior to placing your order.

CE