



Nueva210

The Nueva210 from IMI Cornelius is a soft drinks cladding that enjoys a reputation for eye-catching design providing draught Coca-Cola with that extra presence on the bar, maximising impulse sales and differentiating the brand.

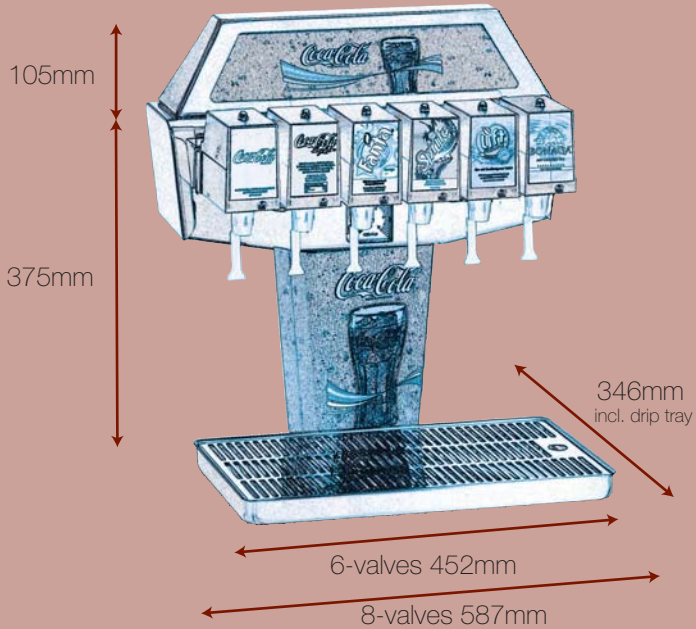
The cladding is designed and engineered to fit the skeletal tower, this contemporary structure incorporates a branding strip positioned at the top of the tower, utilising sophisticated illumination for visual impact.

For the ultimate dispense solution the Nueva210 fits perfectly with our range of high quality soft drink coolers; together they deliver an exceptional drinks experience.

Features include;

- Suitable for pre-mix and post-mix applications
- Available in 4, 6 or 8 valve versions
- Varying branding panel option to tailor to individual environments
- Sophisticated illumination to drive impulse purchase
- Compatible with the existing skeletal tower and range of soft drink valves





Rondo+Sandblast logo



Glacier



Taxi-Sign+Foot label



Moonlight+Product labels

Specification:

Number of taps: 5 - 8
Valve options: Premix, SF1, LEV, LV
Connexion voltage for postmix valves and illumination: 24V / 50 Hertz

Finishes:



Not included:

Transformer

Advertisement options:

Rondo
height incl. ad option 595 mm

Sandblast logo
height incl. ad option 375 mm

Glacier
(Illumination optional) height incl. ad option 510 mm

Taxi-Sign
(Illumination optional) height incl. ad option 478 mm

Moonlight
(Illumination optional) height incl. ad option 510 mm

Product labels- back side
(Illumination optional) height incl. ad option 375 mm



IMI Cornelius reserves the right to modify the details in the publication as products and specifications are updated and improved. All data contained in this literature is correct at time of print. To ensure technical data is accurate please contact IMI Cornelius prior to placing your order.