

# Nueva *Style*



The  
superlative!

*Design<sup>2</sup> +  
strong performance.*

*Cornelius.*



# Nueva Style

Most modern design  
coupled with  
highest quality.

Postmix



- High value choice of materials.
- Custom made produced zinc pressure die casting components.
- High shine chrome.
- Versatility – also with LCD features possible.



Flexible, functional,  
stylish...



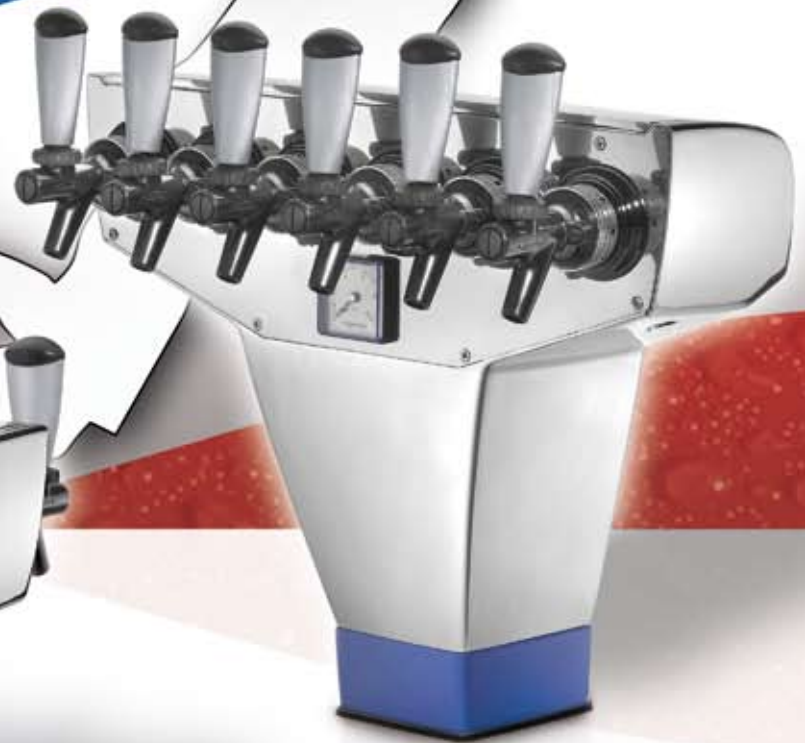
6-valves UF1 LCD  
with chromed base



6-valves UF1



Premix



- A real highlight as far as flexibility goes.
- Technically mature – certainly the optimal solution.
- Available as a 6 and 8 valve version.
- Shapely tower, durable and easy to clean.



6-valves Premix LCD  
with chromed base



6-valves Premix Taxi



# Technical data

## Specifications:

Supply voltage for postmix valves and illumination: 24 volts/50 Hertz

Dimensions in mm 6-valves-version  
incl. Advertisement & Drip tray  
(Height/Length/Depth in mm): 419 x 420 x 365

inkl. Drip tray, but excl. Advertisement  
(Height/Length/Depth in mm): 325 x 420 x 365

Dimensions in mm 8-valves-version  
incl. Advertisement & Drip tray  
(Height/Length/Depth in mm): 419 x 552 x 365

inkl. Drip tray, but excl. Advertisement  
(Height/Length/Depth in mm): 325 x 552 x 365

## Advertisement options:

Taxi illuminated: on request

LCD screen: on request

Base Pepsi blue, chromed or black.

Height 51 mm: on request

Curious about the superlative  
of fountain ?

Then ask the professionals.

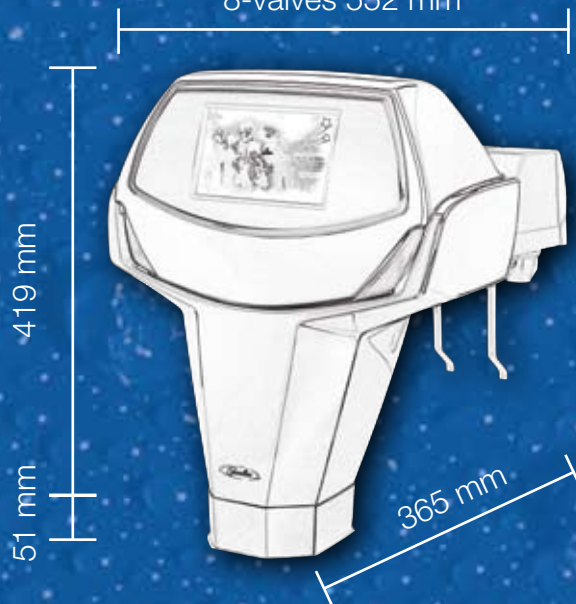


IMI Cornelius Europe  
[www.imi-cornelius.net](http://www.imi-cornelius.net)



Nueva Style Taxi

6-valves 420 mm  
8-valves 552 mm



Nueva Style LCD