

Linus™ 60

The Linus range from Cornelius is the classic unit among our overcounter coolers. A dry cooler in a timeless stainless steel design and fitted with our BT2000 beer tap. With its reliable cooling technology the Linus60 is quickly ready for use without long pre-cooling periods.

- Excellent workmanship for a high quality classic overcounter cooler
- Cost-effective cooling performance
- Instantly ready for use
- Available as a single or double dispense tap version
- High dispensing capacity

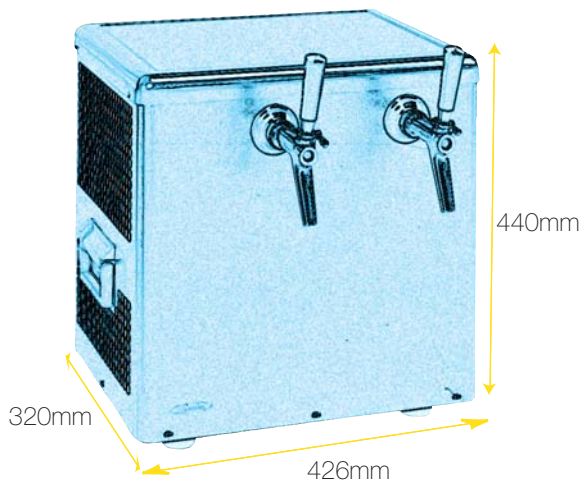
Key features

- Classic design, high-quality, modern look in stainless steel design
- Fountain dispensing made easy
- Superior performance
- Ideal for home use too



All information contained in this document is the property of Cornelius and should not be passed to any third party without prior written consent.

© Cornelius



Performance:

Dispense capacity in l/hour continuously with a DeltaT of 10°C (18°C to 8°C): 64 litres

Maximum ambient temperature: 32°C
Heat emission: 1200 watts

Weight:

Equipment weight: 38 kg
Packed weight: 40 kg

Electrical:

Mains supply: 230 v / 50 hz
Power consumption: 450 watts
Supply: 2 m mains cable euro style plug

Refrigeration:

Compressor: 11 cc / 1/3 hp
Compressor duty at 0°C Evaporation: 628 watts
Cooling performance continuously: 744 watts / 640 kcal

Product coils:

Material: Stainless steel
Number of coils: 1 or 2
Length of coils: 8m
Diameter (internal/external): 7 mm or 10 mm

Control type:

Mechanical thermostat

Variations and Ordernumbers Linus60

Overcounter

1 Tap BT 2000, 7 mm 49 1587 107
1 Tap BT 2000, 10 mm 49 1587 100

2 Taps BT 2000, 7 mm 49 1587 207
2 Taps BT 2000, 10 mm 49 1587 200

Ready for use system

1 Tap BT 2000, 7 mm 49 1587 710
1 Tap BT 2000, 10 mm 49 1587 810

2 Taps BT 2000, 7 mm 49 1587 700
2 Taps BT 2000, 10 mm 49 1587 800

Undercounter

2 Lines, 7 mm 49 1587 507
2 Lines, 10 mm 49 1587 500

Cooling performance and dispensing capacities at an ambient temperature of 24°C. 18°C beer ingoing temperature and dispense temperature not exceeding 8°C.

Cornelius reserves the right to modify the details in the publication as products and specifications are updated and improved. All data contained in this literature is correct at time of print. To ensure technical data is accurate please contact Cornelius prior to placing your order.

