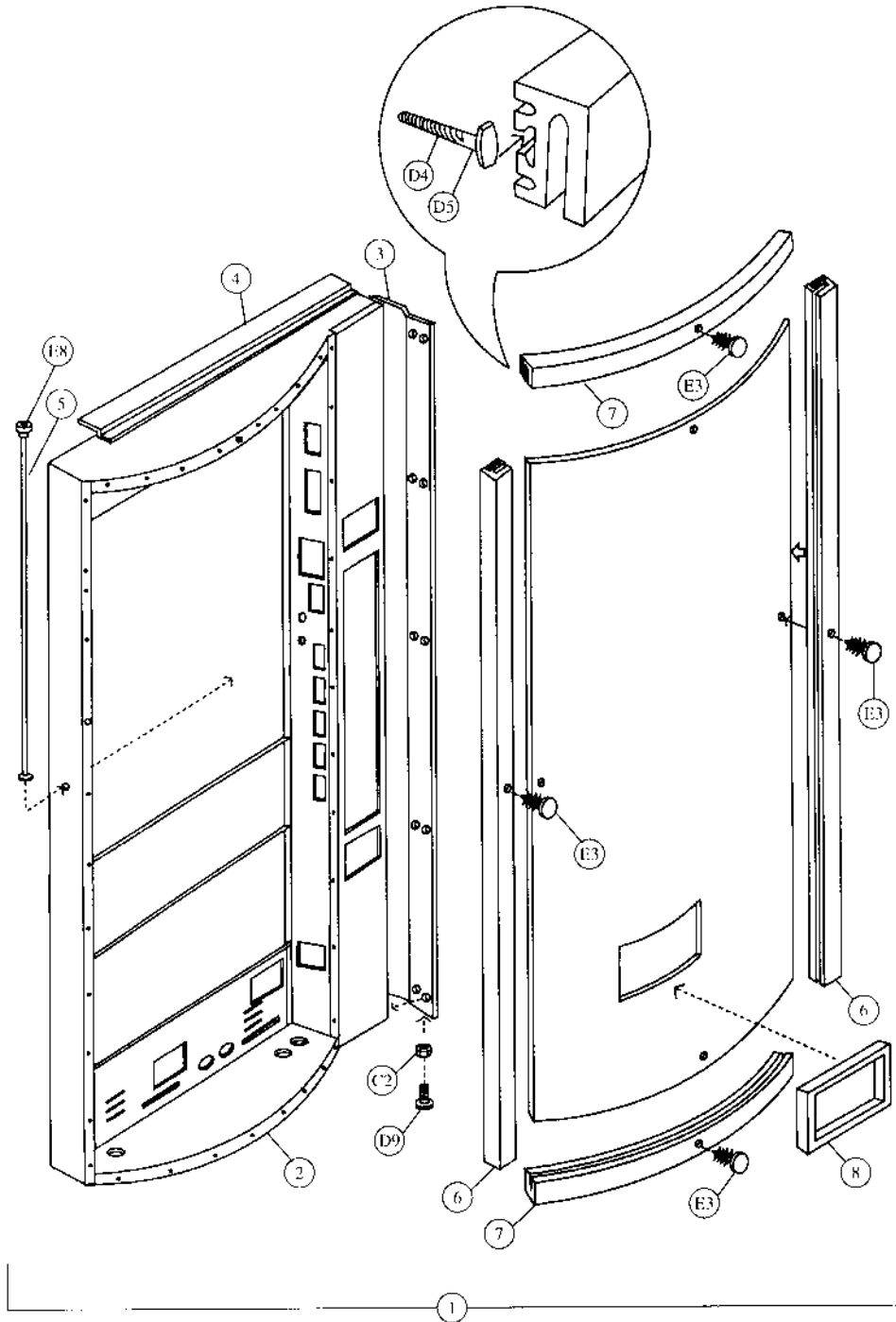


Pepsi (Magnum Cir.) DNCB 501MC & 522MC

Dimensions	72" H x 37 1/6" W x 32" D (1829mm H x 940mm W x 813mm D)	
Dimensions Less Door	72" H x 37 1/6" W x 29" D (1829mm H x 940mm W x 737mm D)	
Approximate Weight	758 lbs. (344kg)	
Selections/Columns	522	6/6
	501	8/8
Total 12 oz. (330ml) Cans Capacity/Vend	522	522/504
	501	501/477
Column Capacity 12 oz. (330ml) Cans	522	6 Double Columns - 87 Each
	501	5 Single Columns - 48 Each 3 Double Columns - 87 Each

Main Door - Exterior - Pepsi (Magnum Circular)



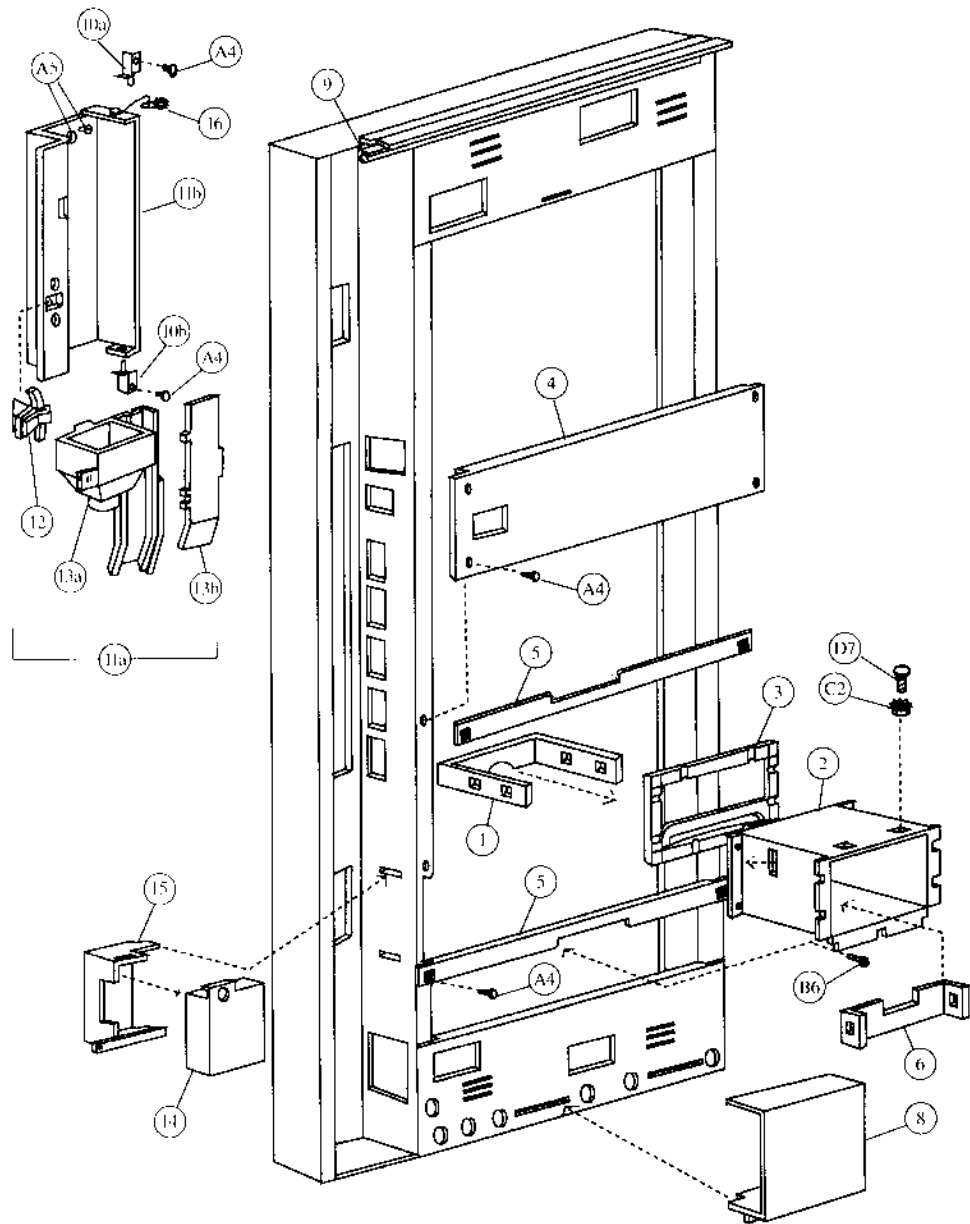
Main Door - Exterior - Pepsi (Magnum Circular)

Item	Part Number	Part Name And Description
1	See list below	Main Door Assembly (specify graphics & harness)
	482,150,000.03	501 (8 select) Main Door Assembly
	488,150,000.03	522 (6 select) Main Door Assembly
2	See list below	Main Door Weld Assembly
	482,150,100.03	501 (8 select) Main Door Weld Assembly
	482,150,100.03	522 (6 select) Main Door Weld Assembly
3	165,150,331.43	Protective Plate Door
4	164,151,142.33	Rain Guard (black)
5	900,502,510.11	Tie Rod
6	801,805,470.01	68 15/16" (1751mm) Vertical Trim LS & RS
7	801,805,470.01	29 1/16" (738mm) Horizontal Trim (top & bottom)
8	801,602,860.31	Delivery Port Trim (black)

E8	900,800,510.01	Elastic Stop Nut #8 - 32
D4	900,400,410.01	T-Bolt #8 - 32 x 1 3/8
D5	900,400,350.31	T-Bolt #8 - 32 x 3/4 (46)
E3	900,902,130.01	Christmas Tree Clip (4)
D9	900,201,450.01	Carriage Bolt 1/4 - 20 x 1/2 (10)
C2	900,800,670.01	Keps Nut 1/4 - 20 (10)
C3	900,800,500.01	Keps Nut #8 - 32 (60)

When Ordering Parts, Indicate Model # And Serial # Of Vender.
 All Parts Numbers And Prices Are Subject To Change Without Notice.

Main Door - Interior - Pepsi (Magnum Circular)

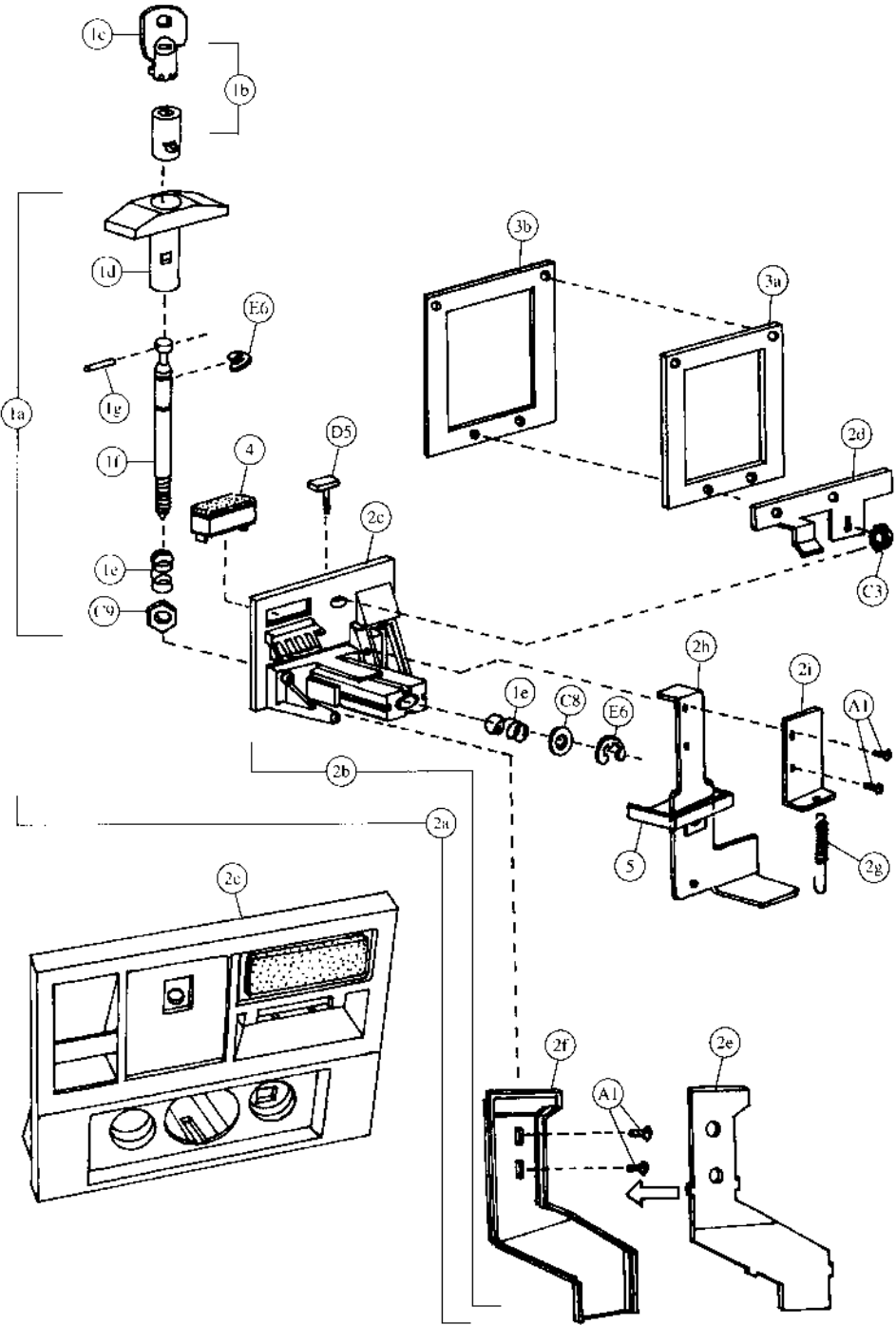


Main Door - Interior - Pepsi (Magnum Circular)

Item	Part Number	Part Name And Description
1	399,050,240.03	Discharge Member
2	801,806,030.61	Delivery Port (black frame)
3	801,805,500.21	Port Spacer
4	453,150,010.23	Center Door Stiffener
5	480,050,060.03	Delivery Port Stiffener
6	432,010,510.13	Closure Strip
7	901,901,890.01	1" Clamp (not shown)
8	432,050,660.03	Cover Wire Plug
9	903,600,530.01	L-Profile Gasket
10a	432,051,000.03	Access Door Top Hinge, w/a
10b	432,051,101.63	Access Door Bottom Hinge, w/a
11a	491,050,600.03	Access Door Assembly
11b	432,150,030.33	Access Door
12	901,902,130.11	Access Door Latch
13a	801,806,580.11	Coin Hopper and Chute
13b	801,806,590.11	Coin Chute Front
14	432,051,800.03	Cash Box, w/a
15	432,050,181.43	Cash Box Shelf
16	804,902,610.01	4" Ground Wire (102mm)

B6	900,301,650.01	Screw, Phil Pan (with washer) #8 - 18 x 1/2 (3)
C3	900,800,500.01	Keps Nut #8 - 32
A4	900,301,500.01	Screw, Phil Pan (without washer) #8 - 18 x 1/2 (9)
D7	900,201,170.01	Carriage Bolt 1/4 - 20 x 1 (6)
C2	900,800,670.01	Keps Nut 1/4 x 20 (6)
A9	900,301,560.01	Sems Screw #8 - 32 x 3/8
A5	900,301,970.01	Screw, Phil Pan #8 - 32 x 1/4 (3)
B4	900,201,140.01	Screw, Machine Truss #10 - 32 x 1/2 (2)
B9	900,800,650.01	Keps Nut #10 - 32 (not shown) (2)

Pull-Out Handle & Coin Insert - Pepsi (Magnum Circular)

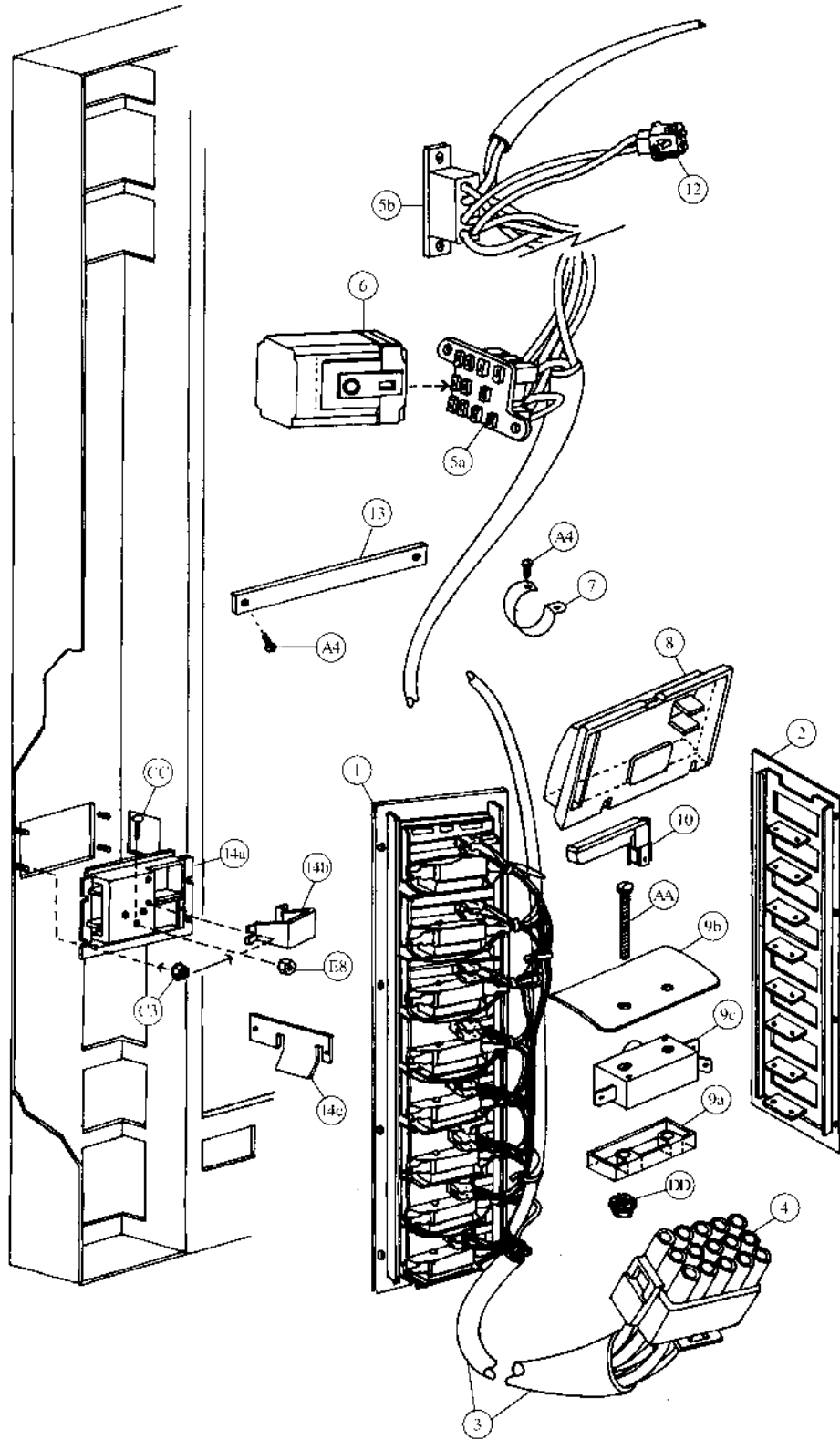


Pull-Out Handle & Coin Insert - Pepsi (Magnum Circular)

Item	Part Number	Part Name And Description
1a	801,503,040.01	T-Handle Assembly
1b	Specify key number	Lock with Two Keys
1c	Specify key number	Key Only
1d	801,505,730.01	Handle Only
1e	901,503,050.01	Spring
1f	4255-6-44W	Stud
1g	901,503,090.11	Cross Pin
2a	See list below	Coin Insert Assembly with T-Handle
	480,150,600.04	Domestic (USA & Canada)
2b	See list below	Coin Insert Assembly without T-Handle
	480,150,500.03	Domestic (USA & Canada)
	480,250,500.03	Export (all others except listed below)
	480,450,500.03	Mexico
	480,650,500.03	Argentina - Token
2c	See list below	Coin Insert
	801,201,180.31	Domestic (USA & Canada)
	801,201,190.41	Export (all others except listed below)
	801,201,290.21	Mexico
	801,201,350.11	Argentina - Token
2d	506,050,020.13	Coin Insert Retainer
2e	801,805,800.31	Coin Chute Cover
2f	801,805,790.61	Coin Chute
2g	901,700,630.11	Spring Extension
2h	453,050,800.03	Coin Return Plunger Assembly
2i	432,050,570.33	Plunger Bracket
3a	360,050,720.53	Validator Plate
3b	902,001,110.21	Gasket Validator (black)
4	See list below	Correct Change Lamp
	904,700,180.31	English "Use Correct Change"
	804,700,500.01	English, IEC Standard "Use Correct Change"
	804,700,440.01	Spanish "Importe Exacto"
	804,700,450.01	French "Faites L'Appoint"
	804,700,400.01	Italian "Usare Monete Contate"
	804,700,470.01	Arabic "Lutfen Para Atiniz"
	804,700,480.01	German "Abgezahletes Geld Verwenden"
904,700,490.01	Portuguese "Introduza Quantia Exacta"	
5	801,806,080.01	Drip Chute

136	901,503,070.01	E Ring
C8	901,503,060.01	Flat Washer
C9	901,503,080.01	Hex Washer
A1	900,301,700.01	Sems Screw #6 - 32 x 3/8 (4)
C3	900,800,500.01	Keps Nut #8 - 32 (4)
D5	900,400,350.31	T-Bolt #8 - 32 x 3/4

Select Panel - Pepsi (Magnum Circular)

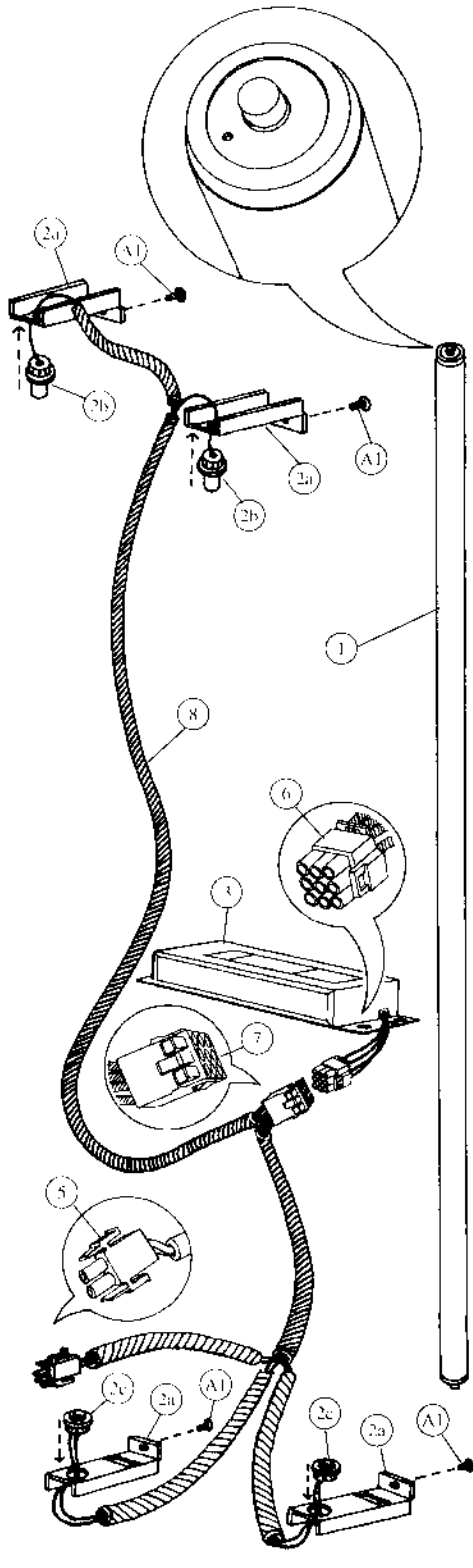


Select Panel - Pepsi (Magnum Circular)

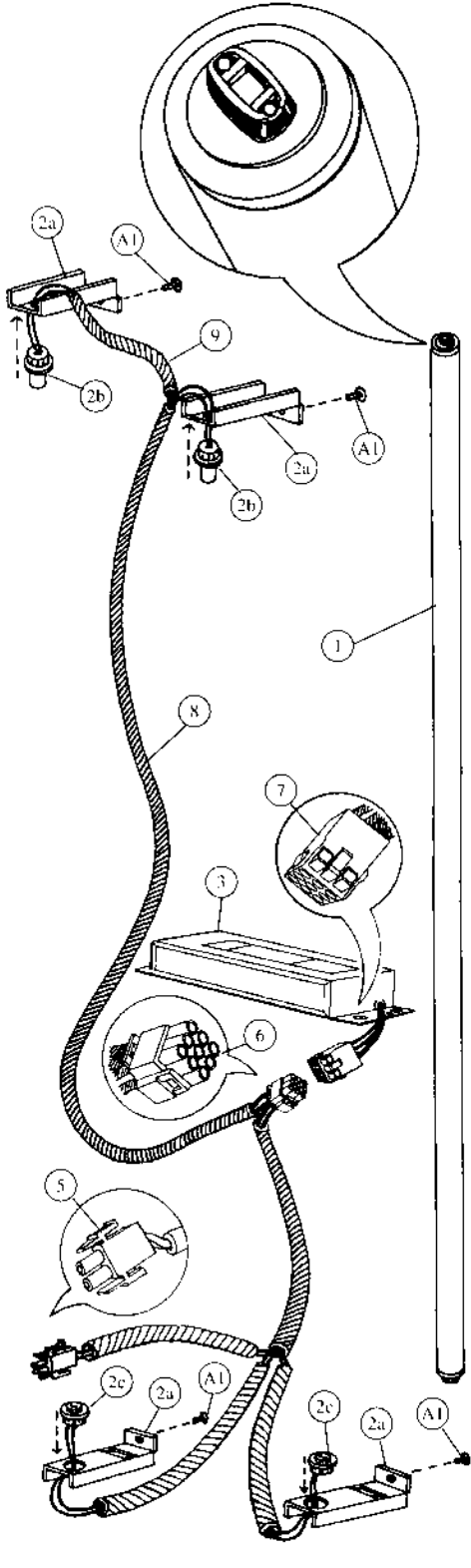
Item	Part Number	Part Name And Description	
1	480,050,300.03	501 Select Panel Assembly	(8 select)
	488,050,300.03	522 Select Panel Assembly	(6 select)
2	480,050,200.03	501 Select Panel, w/a	(8 select)
	488,050,200.03	522 Select Panel, w/a	(6 select)
3a	See list below	501 Door Harness	(8 select)
	804,903,690.11	Single Price and Single Price - IEC Standard	
	804,904,170.11	Two Price and Two Price - IEC Standard	
	804,904,000.11	Four Price and Four Price - IEC Standard	
3b	See list below	522 Door Harness	(6 select)
	804,903,710.11	Single Price and Single Price - IEC Standard	
	804,903,840.11	Two Price and Two Price - IEC Standard	
	804,904,010.11	Four Price and Four Price - IEC Standard	
4	904,600,830.01	15-Way Plug	
5a	904,600,620.01	Socket, Relay	
5b	904,600,600.01	Socket, Coin Changer	
6	804,200,170.01	Vend Relay (single price only)	
7	901,901,890.01	1" Clamp	
8	801,805,110.21	Button (small rectangle)	
9a	801,804,540.21	Button Stop	
9b	801,804,620.11	Switch Shield & Spring, Mylar	
9c	804,100,510.21	Select Switch (Unimax A401)	
10	804,700,210.01	Sold Out Lamp	
11	Indicate flavor	Flavor Cards	(not shown)
12	904,600,700.01	2-Way Cap	
13	453,050,140.03	Door Strap	
14a	801,805,610.11	Change Cup & Opener Bezel	
14b	801,805,530.21	Change Cup	
14c	399,050,270.13	Opener Housing Reinforcement Plate	
15	901,000,190.01	Crown Puller	(not shown)
16	432,050,400.03	Crown Catcher	(not shown)
17	432,050,280.33	Crown Chute	(not shown)

DD	900,800,490.01	Keps Nut #6 - 32	(20)
CC	900,201,220.11	Machine Screw #8 - 32 x ¼	
FS	900,800,510.01	Elastic Stop Nut #8 - 32	
A4	900,301,500.01	Screw, Phil Pan #8 - 18 x ½	(2)
A9	900,301,560.01	Sems Screw #8 - 32 x ¾	(7)
D3	900,400,430.01	T-Bolt #8 - 32 x 1	(4)
C3	900,800,500.01	Keps Nut #8 - 32	(14)
AA	900,201,310.01	Screw #6 - 32 x 1¼	(20)

Lighting - Pepsi (Magnum Circular)



Slimline



High-Output

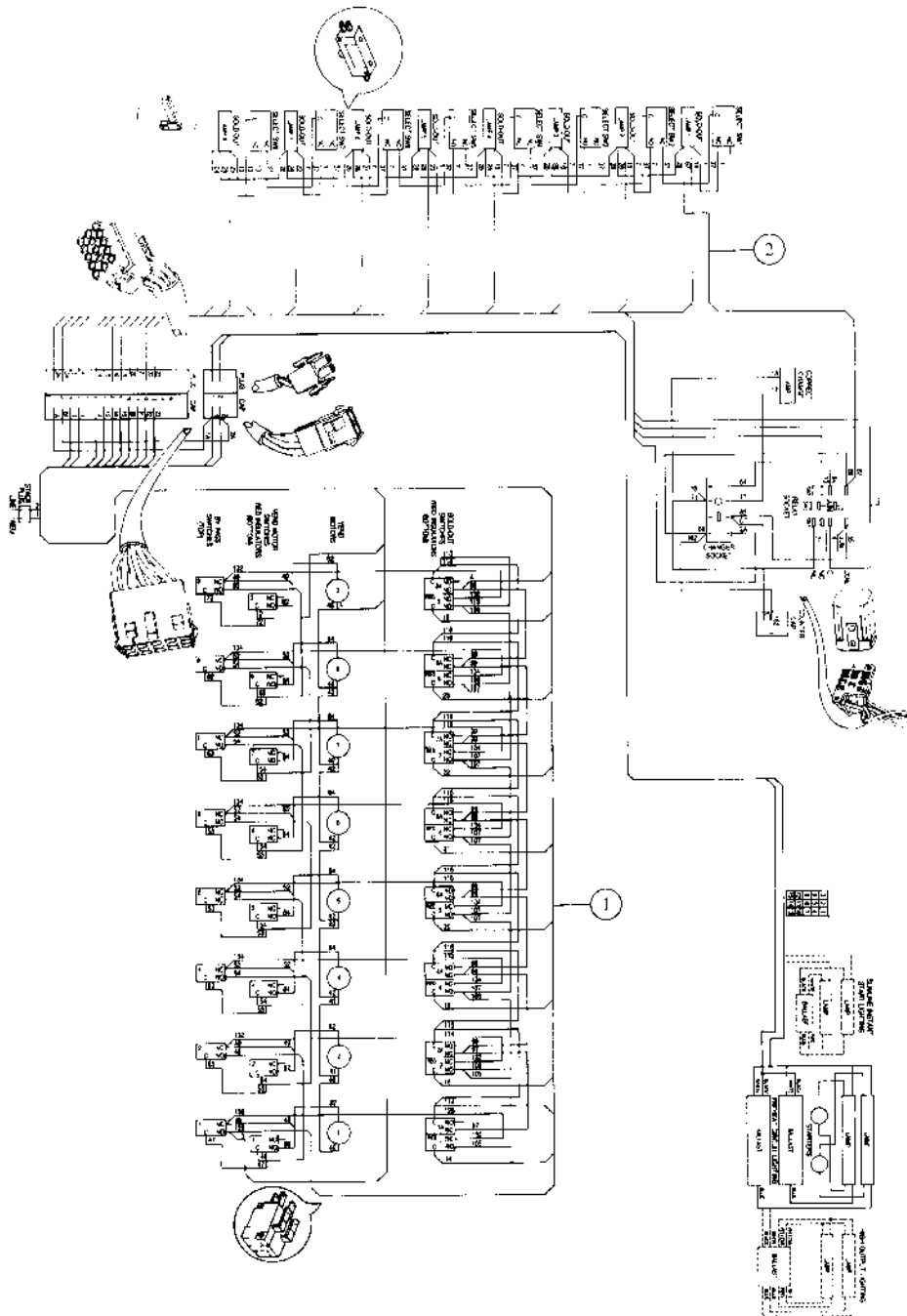
Lighting - Pepsi (Magnum Circular)

Item	Part Number	Part Name And Description
High-Output Lighting		
1	804,700,370.01	Fluorescent Bulb - F64T12/D/HO
2a	432,050,380.63	Door Bracket Lamp Socket
2b	804,901,990.01	Top Lamp Holders - 523
2c	804,902,000.01	Bottom Lamp Holders - 524
3	804,400,380.01	Plug-In Ballast, Advance #VSM/HO
4	904,800,520.01	Connector, Electrical (scotchlock 557)(not shown)
5	904,600,710.01	2-Way Plug
6	904,600,670.01	9-Way Plug
7	904,600,660.01	9-Way Cap
8	804,904,510.21	Plug-In Ballast Harness, High Output
9	804,904,920.21	Lamp Fixture Jumper, High Output

Slimline Lighting		
1	804,700,300.01	Fluorescent Bulb - F64T12/DAYLT
2a	432,050,380.63	Door Bracket Lamp Socket
2b	804,902,020.01	Top Lamp Holders - 516
2c	804,902,030.01	Bottom Lamp Holders - 517
3	804,400,370.11	Plug-In Ballast, Slimline
4	904,800,520.01	Connector, Electrical (scotchlock 557)(not shown)
5	904,600,710.01	2-Way Plug
6	904,600,670.01	9-Way Plug
7	904,600,660.01	9-Way Cap
8	804,904,600.51	Plug-In Ballast Harness, Slimline

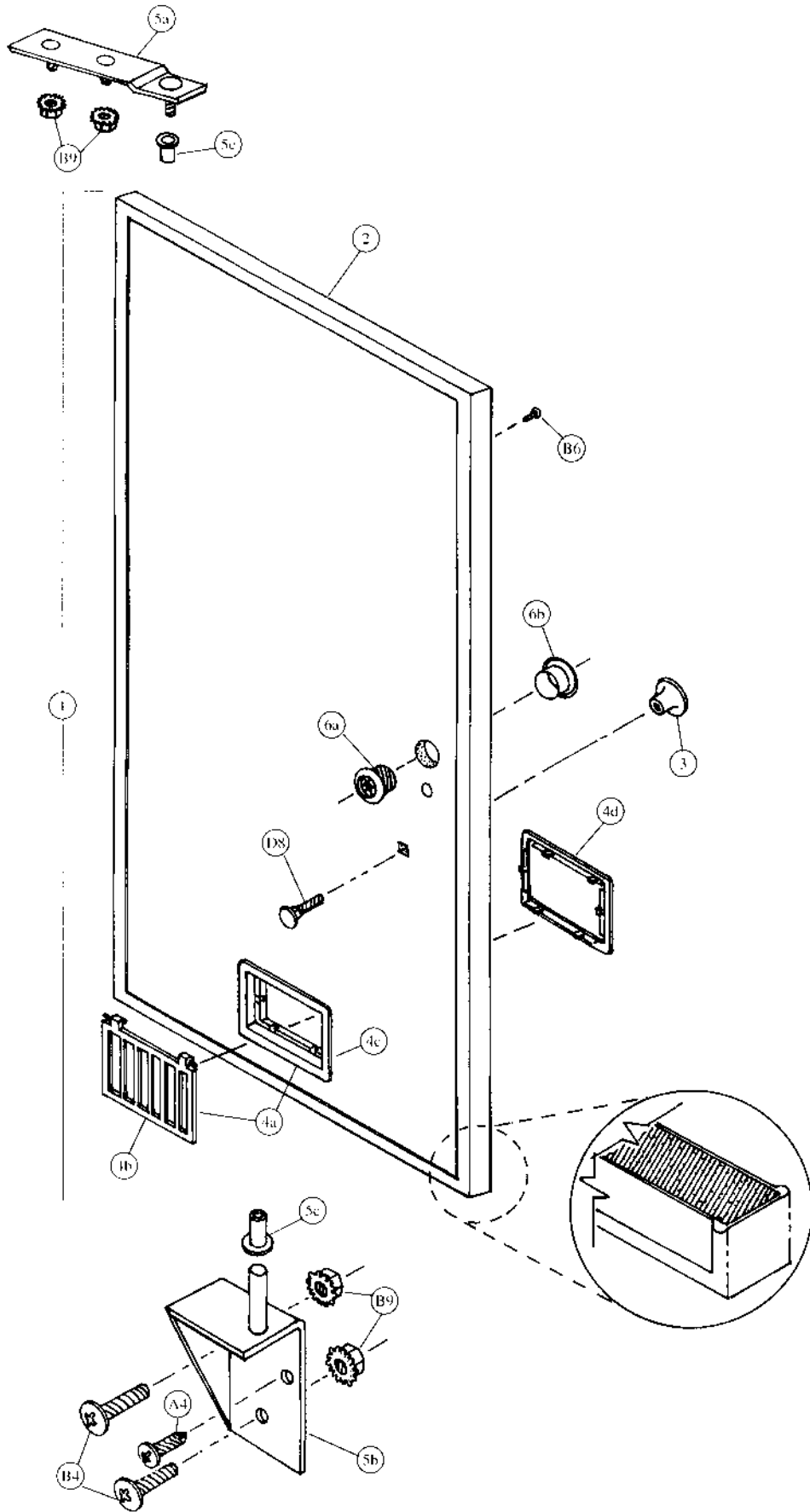
A1	900,301,700.01	Sheet Metal Screw #6 - 32 x 3/8 (4)
----	----------------	-------------------------------------

Wiring Harness - Pepsi (Magnum Circular)



Sample Diagram
8 Column T Dual Adaptable, Single Price

Inner Door - Pepsi (Magnum Circular)



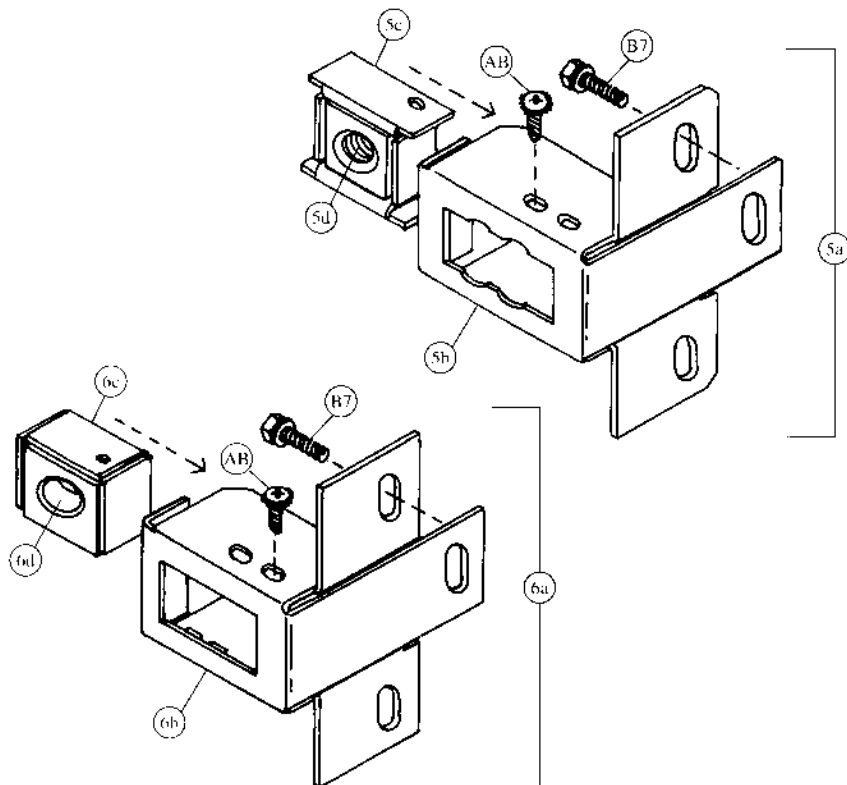
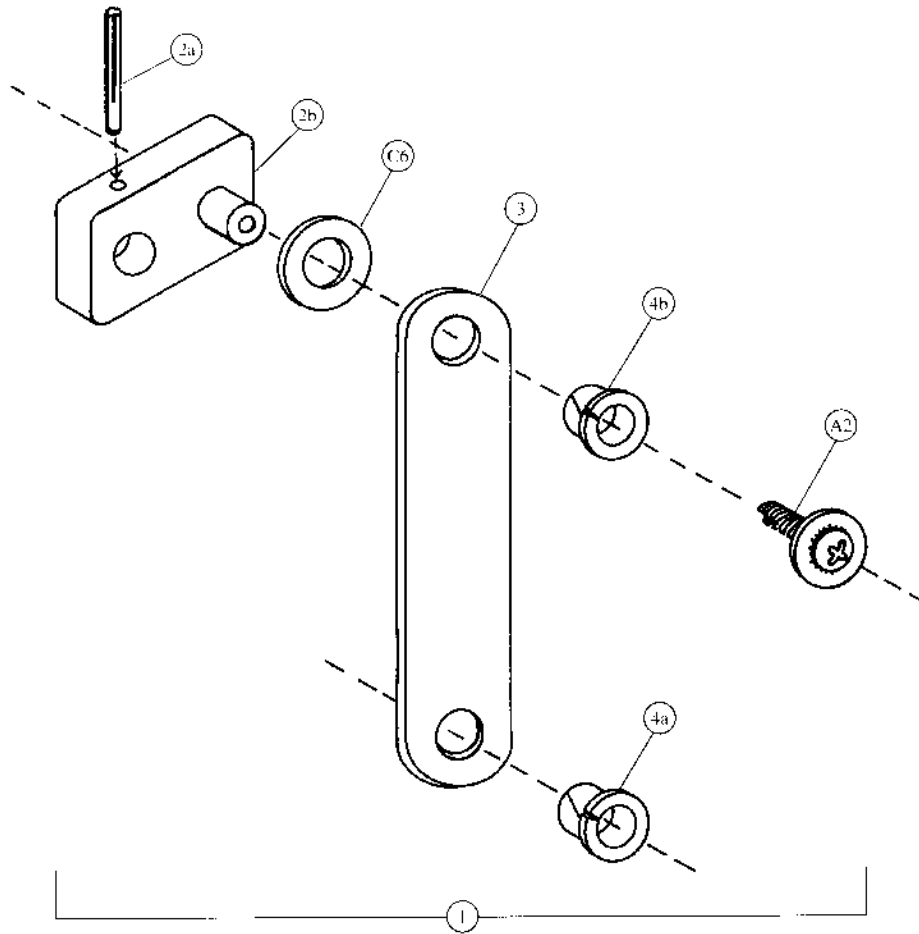
Inner Door - Pepsi (Magnum Circular)

Item	Part Number	Part Name And Description
1	470,150,200.03	Inner Door Assembly
2	801,804,060.01	Inner Door Gasket
3	901,501,700.01	Knob
4a	801,806,920.01	Discharge Frame Assembly (includes 4b & 4c)
4b	801,806,600.01	Delivery Door
4c	801,806,550.01	Discharge Frame
4d	801,806,560.01	Retainer Frame Inner Door
5a	169,053,001.13	Inner Door Top Hinge, w/a
5b	169,051,101.63	Inner Door Bottom Hinge, w/a
5c	901,803,710.01	Plastic Bearing
6a	801,806,420.51	Bushing - Inner Door
6b	801,806,430.31	Bushing Retainer - Inner Door
7	804,902,610.01	4" Ground Wire (102mm) (not shown)

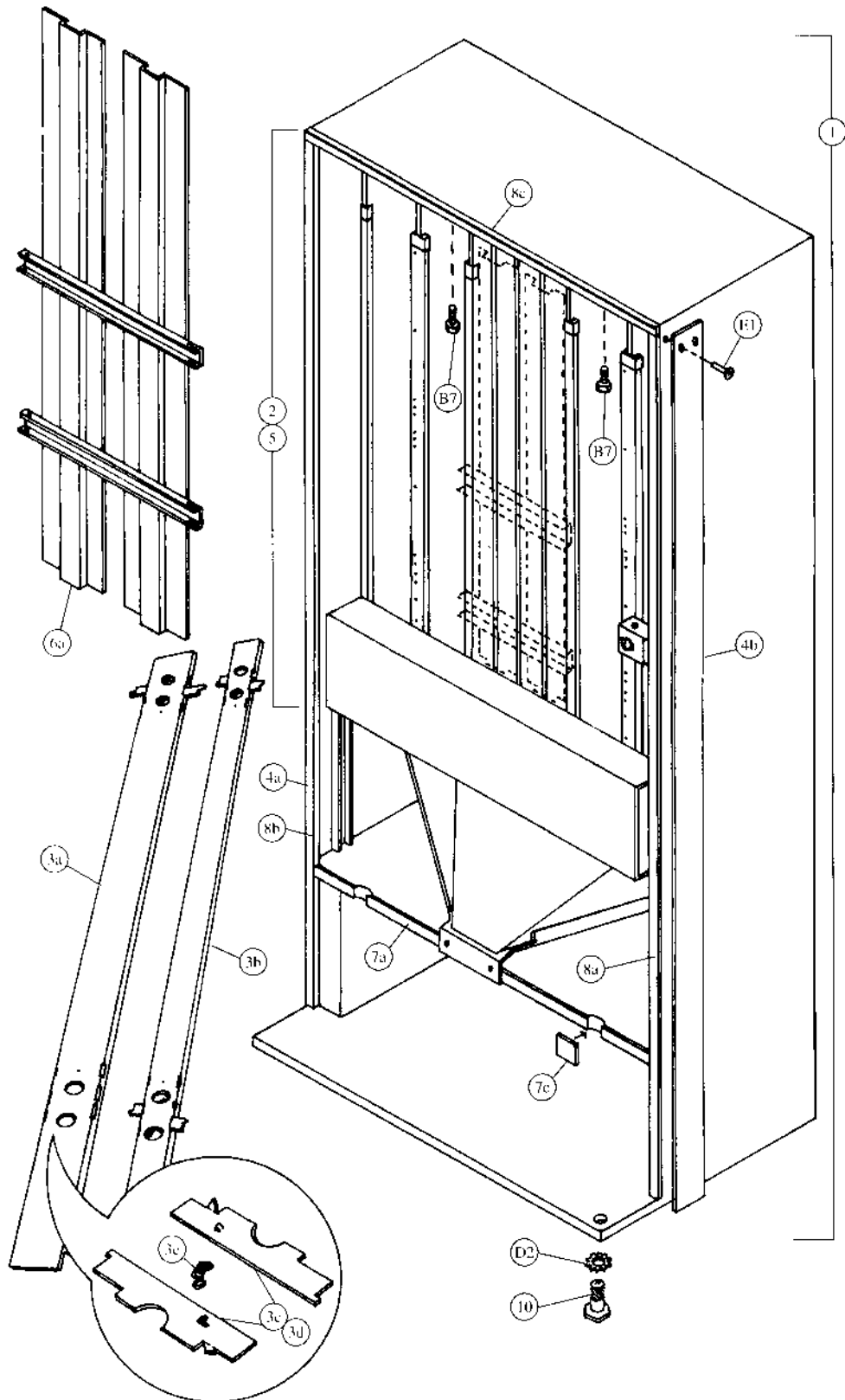
⤴

D8	900,201,230.11	Carriage Bolt 1/4 - 20 x 1 1/4
B6	900,301,650.01	Screw, Phil Pan #8 - 18 x 1/2 (with washer) (53)
A4	900,301,500.01	Screw, Phil Pan #8 - 18 x 1/2 (without washer)
B9	900,800,650.01	Keps Nut #10 - 32 (4)
B4	900,201,140.01	Screw, Machine Truss #10 - 32 x 1/2 (2)

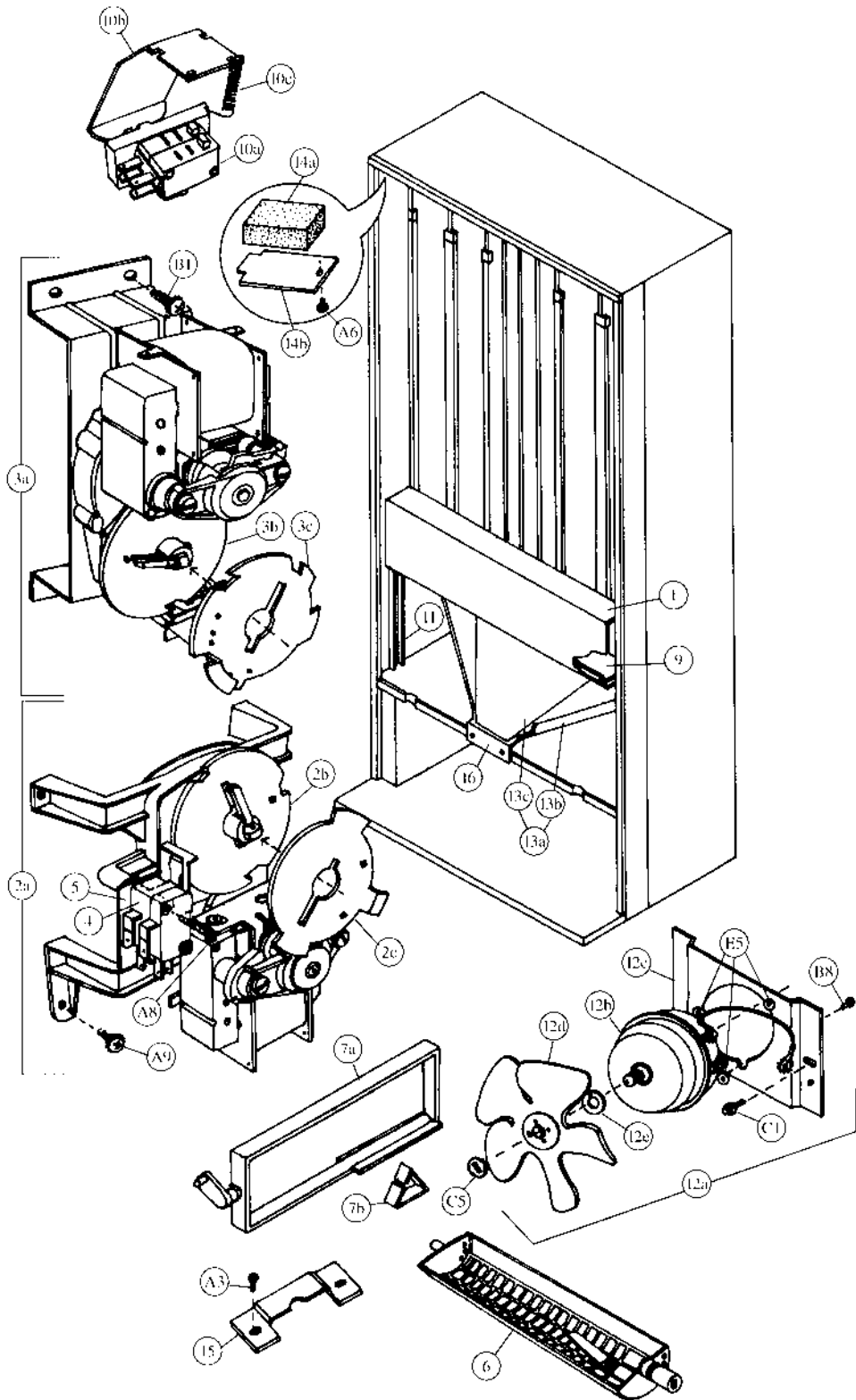
Two-Bar Linkage & Nut Retainer Housing - Pepsi (Magnum Cir.)



Cabinet Interior - Pepsi (Magnum Circular)



Cabinet & Vend Mechanism - Pepsi (Magnum Circular)

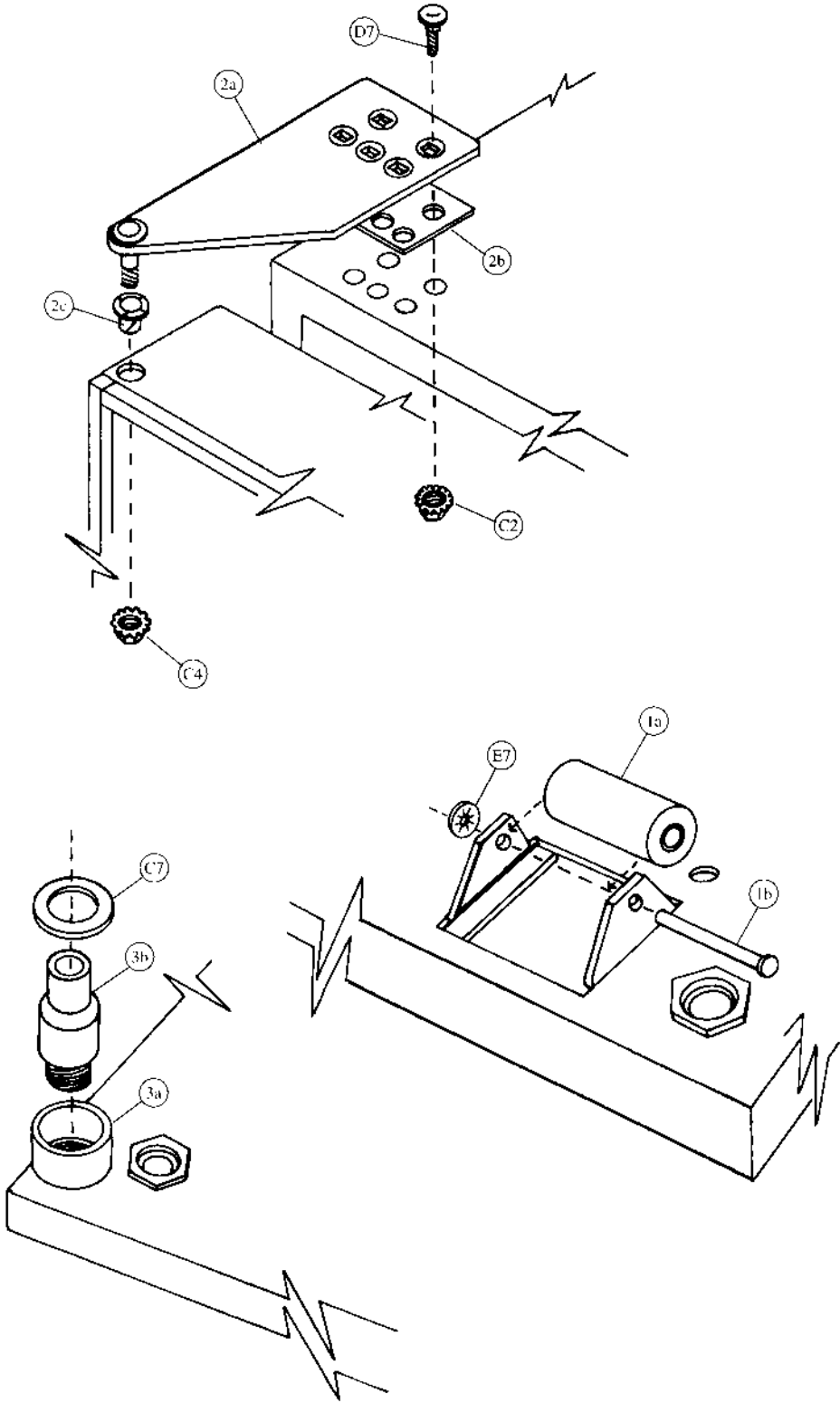


Cabinet & Vend Mechanism - Pepsi (Magnum Circular)

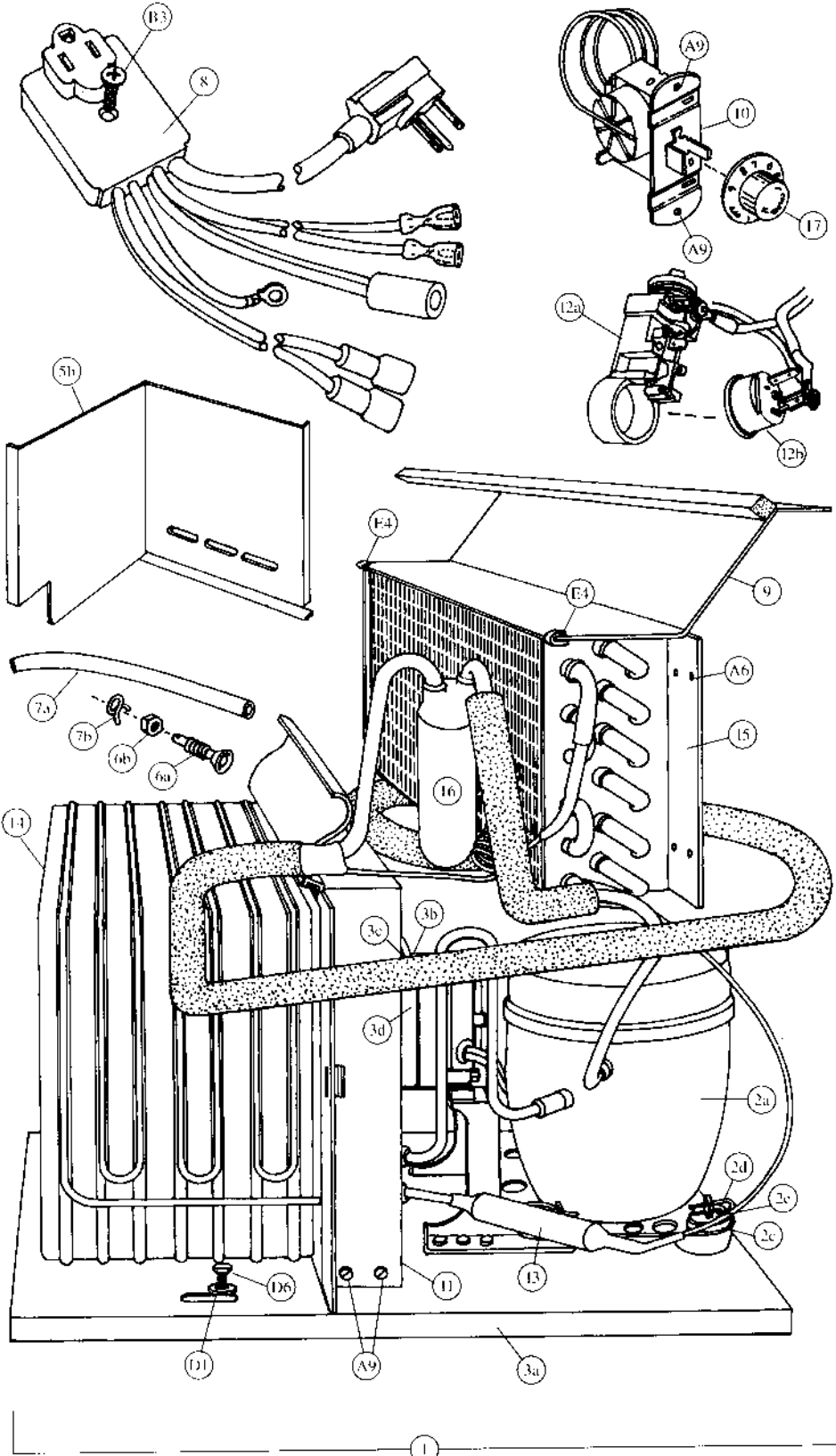
Item	Part Number	Part Name And Description
1	491,070,050.33	Vend Motor Cover, Wide
	491,071,200.23	Vend Motor Cover, Wide - IEC Standard
2a	See list below	Vend Motor Assembly, Wide
	497,070,800.03	Single Price
	497,170,100.03	Two/Four Price
2b	801,806,410.01	Vend Cam, Green
2c	801,806,400.11	Adjustable Cam, Gold
3a	See list below	Vend Motor Assembly, Narrow (501 only)
	497,070,900.03	Single Price
	497,170,200.03	Two/Four Price
3b	801,806,180.21	Vend Cam, Brown (501 only)
3c	801,806,610.21	Adjustable Cam, Brown (501 only)
4	See list below	Vend Motor Switch
	804,100,600.01	Single Price (Double Switch)
	804,100,690.01	Single Price - IEC Standard (Double Switch)
	804,100,700.01	Two/Four Price - IEC Standard (Triple Switch)
5	905,800,330.11	Vend Motor Switch Insulator
6	801,201,230.01	Triple Depth Can Rotor
	801,201,211.61	Vend Rotor - Narrow Column (501 only)
7a	801,201,020.41	Vend Oscillator - Wide Column
7b	901,700,650.31	Can Retainer Oscillator
8a	801,803,170.01	Nyliner, Rear (not shown)
8b	901,804,230.01	Nyliner, Front - Wide Column only (not shown)
9	267,070,370.43	Wire Shield
10a	804,100,610.01	Sold Out Switch Assembly
	804,100,680.01	Sold Out Switch Assembly - IEC Standard
10b	432,070,190.13	Sold Out Paddle
10c	901,700,740.01	Sold Out Paddle Spring
11	491,020,070.33	Mechanism Support
12a	See list below	Evaporator Fan Motor Assembly
	491,000,200.03	115v
	491,140,400.03	220 - 240v
12b	See list below	Evaporator Fan Motor
	804,500,590.01	115v
	804,500,520.01	220 - 240v
12c	164,040,080.73	Evaporator Fan Motor Bracket
12d	801,303,270.11	Evaporator Fan Blade
12e	902,100,290.01	Silencer
13a	497,071,300.03	Can Chute Assembly (includes 13b & 13c)
13b	324,000,010.93	Can Chute
13c	324,000,020.53	Chute Liner (Kydex)
14a	903,300,770.01	Foam Block
14b	169,000,130.83	Hinge Pocket Cover
15	176,072,110.13	Journal
16	172,070,530.03	Support, Can/Bottle Chute

C1	900,901,510.02	Screw, Phil Pan Tapping
A3	900,301,830.01	Sems Screw #10 - 32 x 3/8 (8)
A6	900,600,230.02	Sheet Metal Screw, Type "A"
B8	900,301,690.01	Hex Tap Screw #8 - 32 x 3/8 (3)
A8	900,301,820.01	Vend Motor Screw #4 x 1 1/8 - Double Switch (16)
	900,301,610.01	Vend Motor Screw #4 x 1 1/2 - Triple Switch
A9	900,301,560.01	Sems Screw #8 - 32 x 3/8 (28)
E5	900,401,090.01	Grommet, Black Rubber #97 (3)
C5	900,800,850.01	Speed Nut
B1	900,301,850.01	Sems Screw #8 - 32 x 3/8

Hinges and Rollers - Pepsi (Magnum Circular)



Refrigeration - Pepsi (Magnum Circular)



Refrigeration - Pepsi (Magnum Circular)

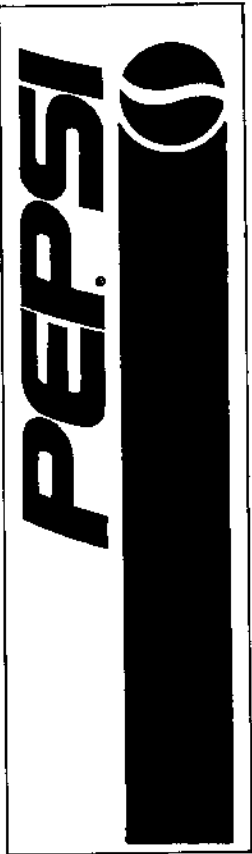
Item	Part Number	Part Name And Description
1	Provide information listed	Complete Refrigeration System: Indicate unit model number from serial plate on unit base plate, refrigerant, voltage/hertz and country.
2a	Provide information listed	Compressor S 1/2 HP: Indicate compressor manufacturer, voltage/hertz, refrigerant and complete manufacturer's model number.
2b	See list below	Compressor Lead Harness (not shown)
	904,900,611.01	All, except IEC Standard
	804,905,320.01	220-240v/50hz, IEC Standard
2c	902,000,570.01	Compressor Mounting Grommet
2d	900,901,880.01	Compressor Mounting Retainer Clip
2e	901,803,910.01	Compressor Grommet Plug, Plastic
3a	497,020,060.03	Condenser Base Plate
3b	See list below	Condenser Fan Motor Assembly
	491,040,200.03	115v
	491,140,300.03	220-240v
3c	See list below	Condenser Fan Motor
	804,500,670.01	115v
	804,500,700.01	220-240v
3d	800,103,370.02	Fan Blade (not shown)
4a	491,000,100.23	Drain Pan Assembly (not shown)
4b	801,804,240.51	Drain Pan, Plastic (not shown)
4c	905,800,690.01	Soaker, Fiberglass (14) (not shown)
5a	491,040,050.73	Condenser Baffle, Right Side (not shown)
5b	497,040,060.13	Condenser Baffle, Rear
6a	801,806,050.11	Drain Tube
6b	900,301,790.01	Drain Tube Nut
7a	901,900,500.01	Drain Hose
7b	900,901,030.01	Drain Hose Clamp
8	See listing below	Main Wiring Harness
	804,902,220.01 (a)	United States (shown)
	804,905,480.01 (b)	Australia, IEC 335
	804,905,490.01 (c)	United Kingdom, IEC 335
	804,902,160.21 (d)	Europe
	804,903,160.01 (e)	Mexico
	804,905,450.01 (f)	Italy
	804,905,470.01 (g)	Danish, IEC 335
	804,905,360.01 (h)	Germany, with Splashwater Protector
9	211,040,030.13	Top Fan Housing, Short
10	802,800,410.01	Temperature Control
11	491,040,110.43	Fan Shroud Condenser
12a	Provide information listed	Relay: Indicate compressor manufacturer, model # and voltage/hz
12b	Provide information listed	Overload: Indicate compressor manufacturer, model # and voltage/hz
13	802,401,230.01	Dryer
14	802,600,540.01	Condenser
15	802,600,370.51	Evaporator, Short
16	802,400,460.01	Accumulator
17	802,800,420.01	Knob, Temperature Control

A6	900,600,230.02	Sheet Metal Screw, Type "A" (not shown)	(2)
A9	900,301,560.01	Sems Screw #8 - 32 x 3/8	(8)
B3	900,301,810.01	Screw, #10 - 32 x 1 1/2	
D1	900,700,360.01	Lockwasher, 3/8"	(2)
E4	900,901,890.01	Tinnerman Clip	(2)
D6	900,400,440.01	Refrigeration Bolt 3/8 - 16 x 1	(2)

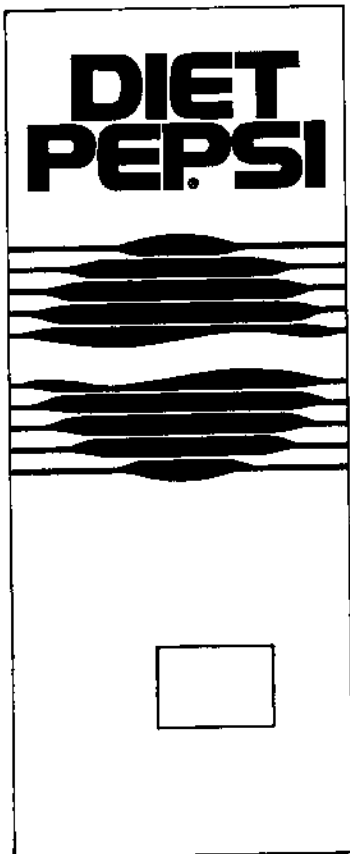
Signs and Decals - Pepsi (Magnum Circular)



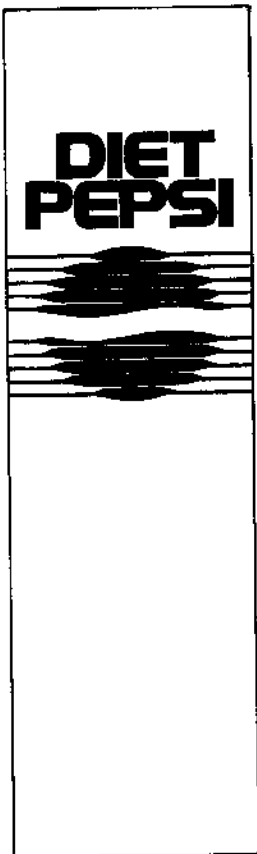
①



③



②



④

Screws & Nuts - Pepsi (Magnum Circular)



(A1)



(A2)



(A3)



(A4)



(A5)



(A6)



(A7)



(A8)



(A8)



(A9)



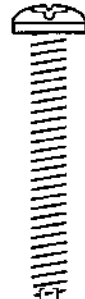
(AA)



(B1)



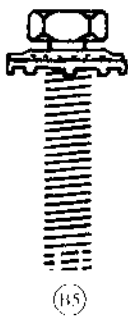
(B2)



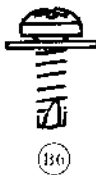
(B3)



(B4)



(B5)



(B6)



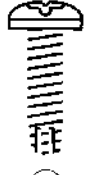
(B7)



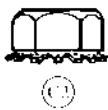
(B8)



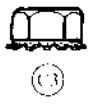
(B9)



(C1)



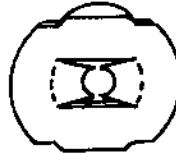
(C2)



(C3)



(C4)



(C5)



(CC)



(DD)

Screws & Nuts - Pepsi (Magnum Circular)

Item	Part Number	Part Name And Description
A1	900,301,700.01	Sems Screw #6 - 32 x $\frac{3}{8}$
A2	900,301,640.01	Sems Screw #8 - 32 x $\frac{1}{2}$
A3	900,301,830.01	Screw, Phil Pan #10 - 32 x $\frac{5}{16}$
A4	900,301,500.01	Screw, Phil Pan (without washer) #8 - 18 x $\frac{1}{2}$
A5	900,301,970.01	Screw, Phil Pan #8 - 32 x $\frac{1}{4}$
A6	900,600,230.02	Sheet Metal Screw, Type "A"
A7	900,300,470.01	Screw, Phil Pan #4 x $\frac{3}{4}$
A8	900,301,820.01	Vend Motor Screw #4 x $1\frac{1}{16}$
	900,301,610.01	Vend Motor Screw #4 x $1\frac{1}{2}$
A9	900,301,560.01	Sems Screw #8 - 32 x $\frac{3}{8}$
AA	900,201,310.01	Machine Screw #6 - 32 x $1\frac{1}{4}$
AB	900,301,960.01	Sems Screw #8 - 32 x $\frac{1}{4}$ (not shown)
B1	900,301,850.01	Sems Screw #8 - 32 x $\frac{5}{8}$
B2	900,300,160.01	Sems Screw #6 x $\frac{3}{8}$
B3	900,301,810.01	Screw #10 - 32 x $1\frac{1}{2}$
B4	900,201,140.01	Screw, Machine Truss #10 - 32 x $\frac{1}{2}$
B5	900,301,730.21	Self-Tapping Screw $\frac{1}{4}$ - 20 x 1
B6	900,301,650.01	Screw, Phil Pan (with washer) #8 - 18 x $\frac{1}{2}$
B7	900,302,010.01	Self-Tapping Screw $\frac{1}{4}$ - 20 x $\frac{5}{8}$
B8	900,301,690.01	Screw, Hex Tap #8 - 32 x $\frac{3}{8}$
B9	900,800,650.01	Keps Nut #10 - 32
C1	900,901,510.02	Screw, Phil Pan Tapping
C2	900,800,670.01	Keps Nut $\frac{1}{4}$ - 20
C3	900,800,500.01	Keps Nut #8 - 32
C4	900,800,690.01	Keps Nut (Top Door Hinge) $\frac{3}{8}$ - 16
C5	900,800,850.01	Speed Nut
CC	900,201,220.11	Machine Screw #8 - 32 x $\frac{3}{4}$
DD	900,800,490.01	Keps Nut #6 - 32

Washers, Bolts & Misc. - Pepsi (Magnum Circular)

