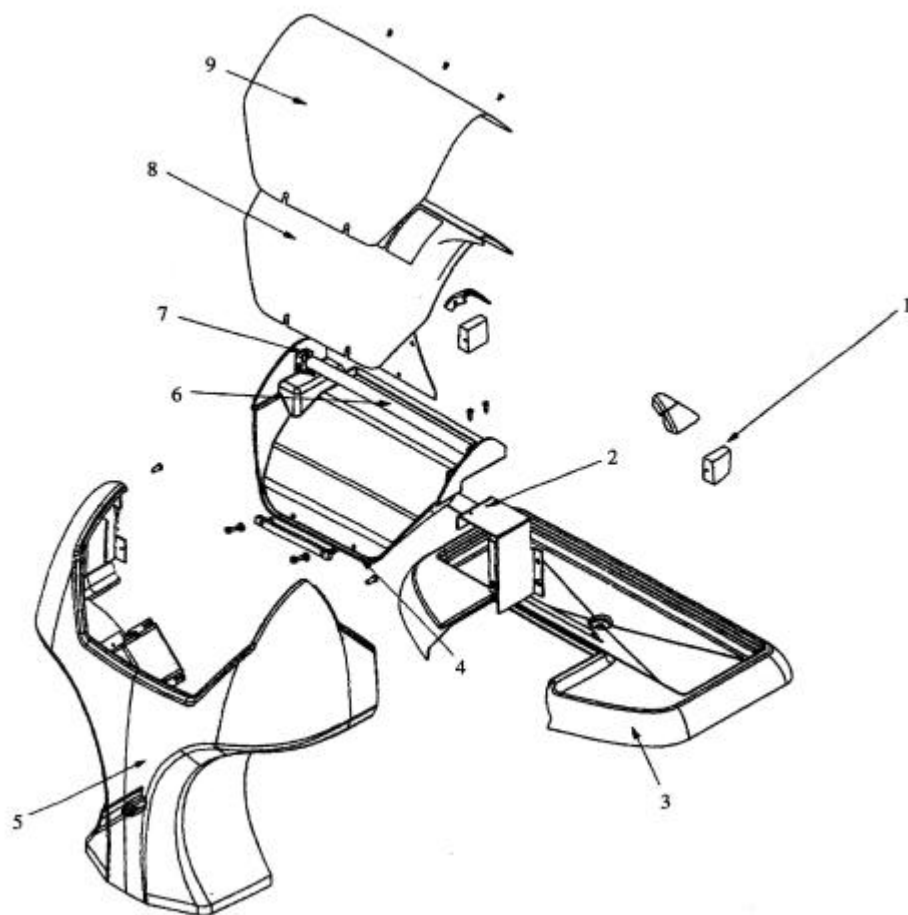




## SPARES LIST

## CHAMELEON



ITEM	PART NO	DESCRIPTION
1	23438	TOWER REAR
2	21335	REFLECTOR BRACKET
3	23417	DRIP TRAY GRILLE - 4P
4	23439	REFLECTOR
5	23437	FRONT BODY
6	32015	8 Watt FLUORESCENT LAMP
7	34057	G5 LAMP HOLDER
8	23440	CLEAR LENS
9	on application	MERCHANDISER

IMI Cornelius  
Rawson Spring Way  
Riverdale Ind Est  
Sheffield  
S6 1PG  
Tel. +44 (0) 1142 855886 Fax. +44 (0) 1142 321070