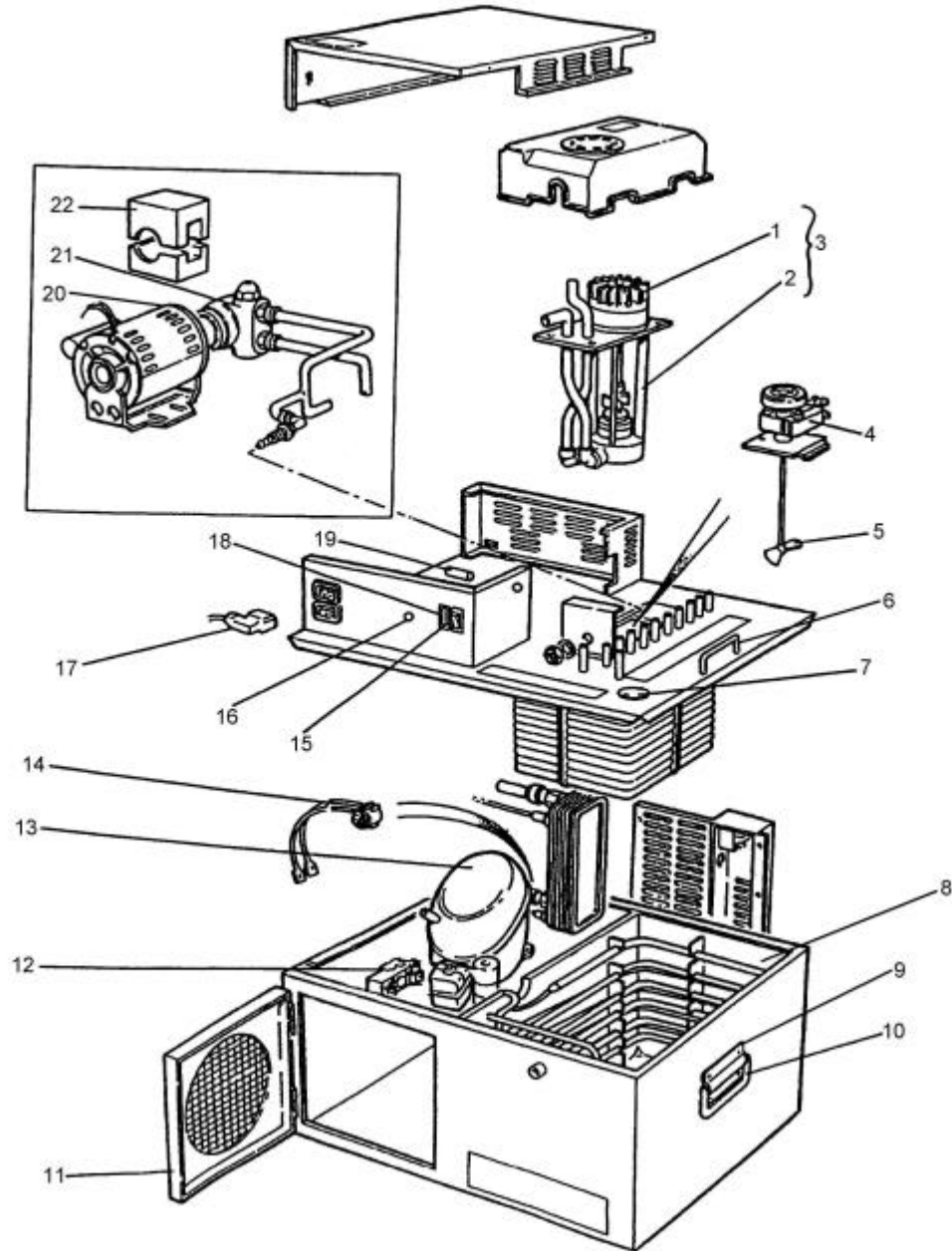




**SPARES LIST**

**CADET SR WATER COOLED**

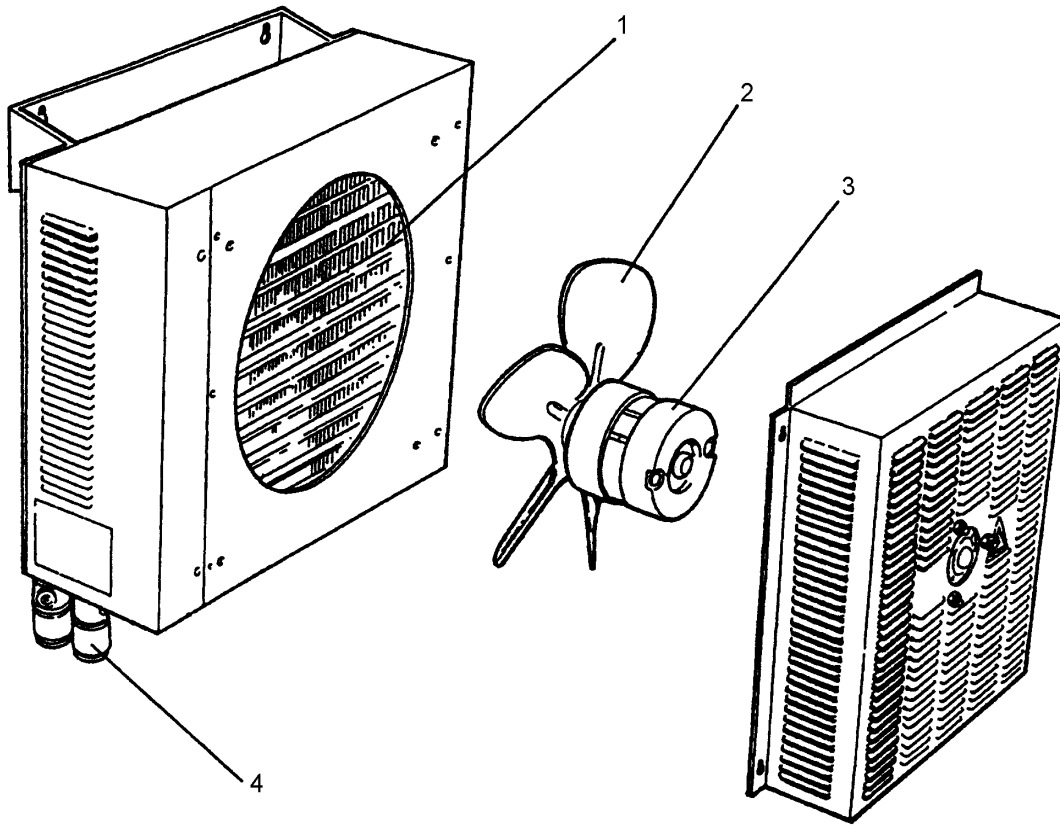
ITEM	PART No.	DESCRIPTION
1	99 1100 008	PUMP SODA (MOTOR+DRIVE ONLY)
2	99 1100 009	PUMP SODA (IMPELLOR ASY ONLY)
3	99 1100 003	PUMP SODA (COMPLETE)
4	99 2ZU702A	AGIT ASSY CADET
5	03 1BF0 33A	No62 PROPELLOR - 62mm DIA (M4)
6	58 0475 214	LIFTING HANDLE "D" TYPE
7	85 6005 818	FILLER PLUG
8	58 2875 206	TANK INSULATED
9	2PR135A	HANDLE PLATE METAL
10	2KN321A	0.232" DIA HANDLE
11	58 1101 052	FAN DOOR
12a	58 1174 007	THERMOSTAT SUPERSPOT
12b	14 2498 000	IBC SENSORIX 220V/240V
13	44 0000 209	COMP SET SC18G HST
	3DF100A	COMPRESSOR START RELAY
	58 0420 143	COMPRESSOR START CAPACITOR
14	58 0440 401	SWITCH THERMAL CUT OUT
15	58 0440 408	SWITCH ROCKER
16	58 0440 346	1.5A FUSE
17	58 0440 138	PLUG RH RE-WIREABLE
18	58 0440 334	INDICATOR BLK/GRN 240V C0430FQ
19	99 1104 003	MOD TO CAPACITOR
20	99 2874 305	MOTOR MODIFIED
21	58 0420 562	PUMP
22	03 1YP0 05A	PUMP INSULATION
23	2RF371A	ICEBANK PROBE
n/s	58 0446 146	SOCKET SNAP-FIT
n/s	58 1335 028	HANDLE
n/s	58 0440 352	FUSE BODY 150-459
n/s	58 0440 353	FUSE CARRIER 150-460
n/s	58 1003 302	ADAPTOR FITTING - 15mm
n/s	15ISV	BALL VALVE 15mm
n/s	99 2870 347	RETRO-KIT THERMAL CUT-OUT SWITCH





## SPARES LIST

## CADET SR WATER COOLED HEAT DUMP - 24V



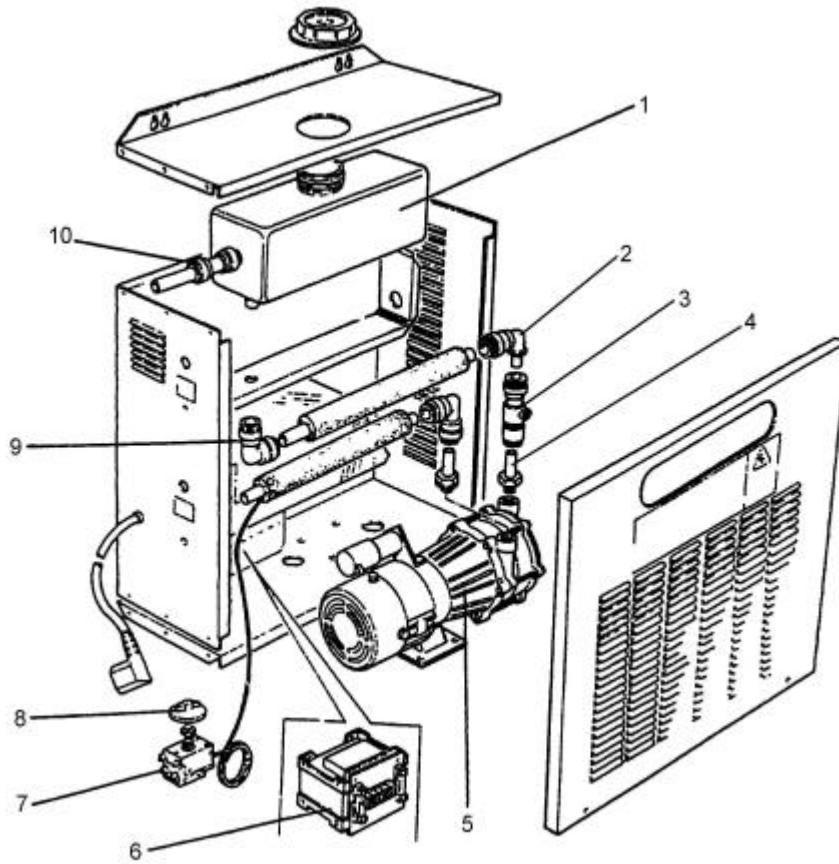
ITEM	PART No.	DESCRIPTION
1	58 1000 402	HEAT EXCHANGER
2	2MP161A	FAN BLADE 10" 5B CCW
3	99 2MR400A	FAN MOTOR - 24v 50Hz
4	15ISV	BALL VALVE - 15mm

IMI Cornelius  
Rawson Spring Way  
Riverdale Ind Est  
Sheffield  
S6 1PG  
Tel. +44 (0) 1142 855886 Fax. +44 (0) 1142 321070



**SPARES LIST**

**CADET SR WATER COOLED  
COOLANT RECIRC UNIT**



ITEM	PART No.	DESCRIPTION
1	58 2875 403	TANK HEADER
2	PM221515E	15mm STEM ELBOW
3	15ISV	BALL VALVE 15mm
4	PM051513E	15mm x 3/8BSP STEM ADAPTOR
5	99 2874 401	MARCHMAY(GLYCOL) PUMP
6	2ER208A	24volt TRANSFORMER
7	58 0400 075	ADJUSTABLE THERMOSTAT
8	58 0475 060	THERMOSTAT KNOB
9	PM0315E	15mm ELBOW
10	PM0415E	15mm STRAIGHT CONNECTOR

IMI Cornelius  
Rawson Spring Way  
Riverdale Ind Est  
Sheffield  
S6 1PG  
Tel. +44 (0) 1142 855886 Fax. +44 (0) 1142 321070