



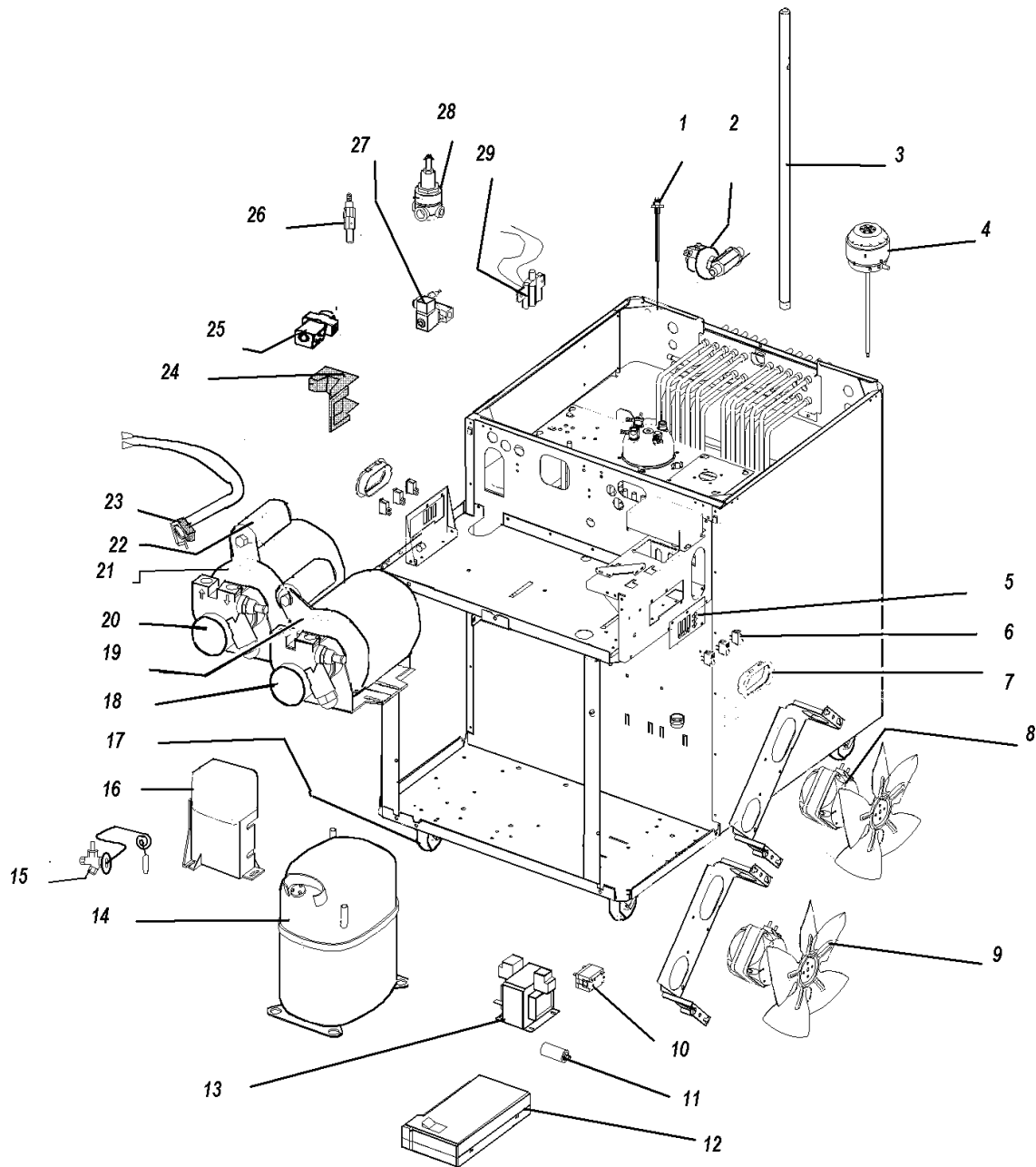
SPARES LIST

ITEM	PART No	DESCRIPTION	COMMENT
1	06 0 090109	LEVEL PROBE	carbonator fill probe
2	XP110	PRESSURE SWITCH (4/4.4 BAR)	
	4911	NON RETURN VALVE	
3	06 0 095804	DRAIN TUBE	
	06 0 085204	'O' RING FOR DRAIN TUBE	
4	06 9 090806	AGITATOR MOTOR ASSY	
	06 0 090846	AGITATOR MOTOR DUAL CARB	
5	06 0 090104	PCB AND LEAD	circuit board
6	58 0440 408	SWITCH ROCKER	
7	06 0 095139	BEZEL LENS	switch panel cover
8	99 1004 306	MOD'D FAN MOTOR	
9	44 0000 058	FAN BLADE	
10	58 0440 420	CONTACTOR	
11	06 0 094806	CAPACITOR	
12	44 0000 916	APEXX CONTROLLER	control box
13	44 0000 652	TRANSFORMER	
14	44 0000 251	COMPRESSOR ASSEMBLY	includes start relay and capacitor
15	58 0450 079	TEV R404A REF 068Z341400	thermostatic expansion valve
	58 0450 080	ADAPTOR 3/8" TEV REF 0682060	
	58 0450 083	ORIFICE NO3 DANFOSS068-200-600	
16	3TS027A	CAPACITOR	run capacitor
	3TS023A	CAPACITOR	start capacitor
	3TS014A	KLIXON	
	3TS005A	RELAY	
17	58 0480 157	CASTOR 3" BLK LOCK REF 1352740	locking castor
	58 0480 156	CASTOR 3" BLACK REF 1352040	
18	58 0420 557	WATER PUMP ONLY 100GPH	pump only
19	06 9 090852	PUMP MOTOR ASSY 1/4 hp	carbonator fill motor
20	13 5681 002	PROCON PUMP S/S	stainless soda pump only
21	06 9 090140	SR MOTOR ASSY (SPARES)	soda recirc motor only
22	99 0440 175	RUN CAPACITOR-SODA PUMP MOTCR	
23	58 0440 401	SWITCH THERMAL CUT-OUT	overheat cut out
24	06 0 095134	BACK SPACER	
25	58 0400 238	SOLENOID VALVE	water inlet 2x pump 2x carbonator
	58 0400 313	SOLENOID VALVE	water inlet 2x pump 1x carbonator
26	44 0000 693	DOUBLE NON RETURN VALVE	
27	44 0000 234	SOLENOID VALVE	still water boost
28	44 0000 752	WATER REGULATOR BRASS	
29	44 0000 903	PROBE 3-PIN LONG LEAD	ice probe
not shown	85 6031 258	15MM EQUAL ELBOW	tank drain elbow
not shown	06 0 090115	CARB PUMP PRESSURE CHECK PORT KIT	check port (Belgium export coolers)
not shown	06 0 085206	DRAIN FITTING	connects drain hose to drain elbow



Apexx 6 Air Cooled Cooler Carbonator

SPARES LIST



IMI Cornelius. Rawson Spring Way
Riverdale Ind Est. Sheffield S6 1PG
Tel: 01142855886. Fax: 01142321070



PERFORMANCE
PROVEN
INNOVATION
EFFICIENCY
RELIABILITY
VERSATILITY
EFFECTIVENESS
ADAPTABILITY
FLEXIBILITY
SCALABILITY
SUSTAINABILITY
INTEGRITY
TRANSPARENCY
ACCOUNTABILITY
RESPONSIBILITY
ETHICALITY
COMMITMENT
PASSION
DIVERSITY
INCLUSION
GROWTH
RESILIENCE
AGILITY
COURAGE
PERSEVERANCE
DETERMINATION
FOCUS
CONCENTRATION
PATIENCE
DISCIPLINE
SELF-CONTROL
WISDOM
KNOWLEDGE
SKILL
EXPERIENCE
PRACTICE
REPEITION
PERFORMANCE