



Apexx 1.5 Air Cooled  
Cooler Carbonator

PERFORMANCE  
Proven  
INNOVATION  
www.cornelius.com

SPARES LIST

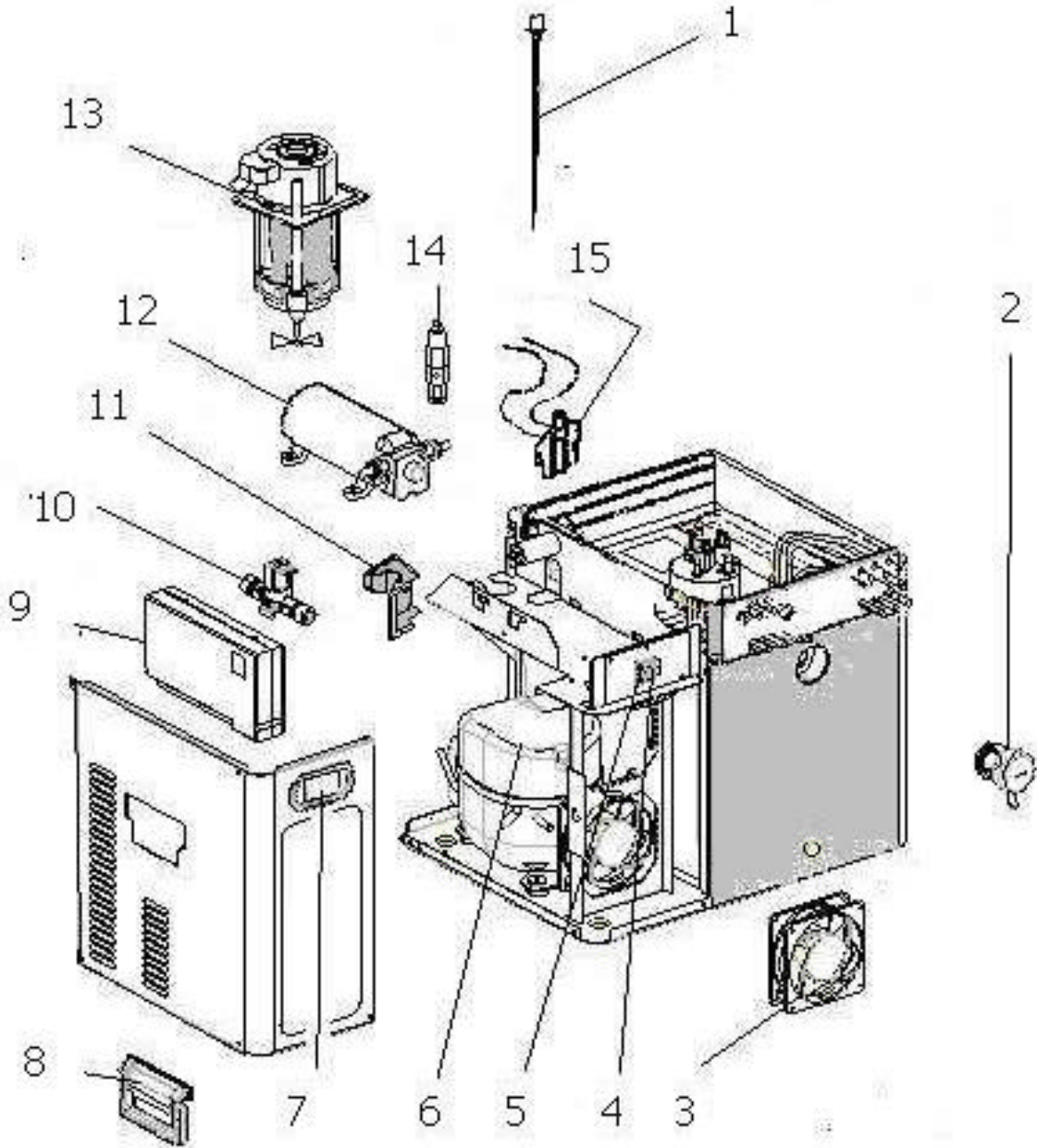
ITEM	PART No	DESCRIPTION	COMMENT
1	06 0 095017	LEVEL PROBE 3-PIN	carbonator level probe
2	06 9 095141	OVERFLOW SIGHT GLASS (SPARES)	includes 'o' ring
3	44 0000 050	FAN MTR	condenser fan motor
4	06 0 090147	PCB 2 SWITCHES SMALL GRAPHICS	circuit board
5	58 0440 408	SWITCH ROCKER	
6	44 0000 206	COMPRESSOR SET DANFOSS	include start relay
	99 0420 073	compressor relay	
7	58 1105 203	BEZEL LENS SMALL	switch panel cover
8	14 1187 100	HANDLE ASSY	
9	44 0000 916	APEXX CONTROLLER	control box
10	58 0400 240	SOLENIOD VALVE 3/8"	
	44 0000 671	SOLENOID VALVE – Spanish market only	
11	06 0 095134	BACK SPACER	
12	14 9900 015	FLOJET PENTAFLEX PUMP	carbonator fill pump
13	06 9 090361	SODA PUMP ASSY SR4 (SPARES)	<b>use after Nov 2001</b>
	06 9 090038	SODA PUMP ASSY SR4 (SPARES)	<b>use before Nov 2001</b>
	99 0440 175	CAPACITOR ASSY APEXX SPARES	includes connectors
14	44 0000 693	NON RETURN VALVE	
15	44 0000 903	PROBE 3-PIN LONG LEAD - 1400mm	ice probe



# Apexx 1.5 Air Cooled Cooler Carbonator

PERFORMANCE  
PROVEN  
INNOVATION  
EFFICIENCY  
RELIABILITY  
VERSATILITY  
EASY MAINTENANCE

## SPARES LIST



# apexx 1.5

IMI Cornelius. Rawson Spring Way  
Riverdale Ind Est. Sheffield S6 1PG  
Tel: +44 (0) 1142 855886  
Fax: +44 (0) 1142 321070